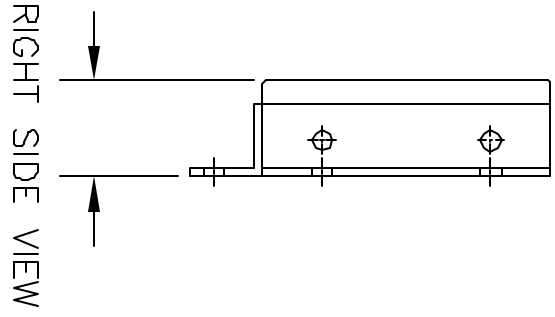


ANCHORAGE DEVICES *



FRONT VIEW

RIGHT SIDE VIEW

NOTES:
 UNIT SHOWN IS "ANGLES BOTH SIDES" (B410-125)
 STANDARD "P1" CONFIGURATION (B410-125/P1)
 IS ANGLE ONE SIDE, FLAT ON OTHER,
 AND ANCHORING TO DOCK FACE ON ONE SIDE
 AND ANCHORING TO DOCK FACE ON THE OTHER.
 "P2" CONFIGURATION (B410-125/P2)
 IS FLAT BOTH SIDES FOR WELDING
 TO DOCK FACE ON BOTH SIDES.
 ALL TOLERANCES ARE ± 1/8"
 UNLESS OTHERWISE NOTED.

ESTIMATED GROSS SHIPPING WEIGHT = 240 lbs.
 *NUMBER OF ANCHORAGE DEVICE = 3
 **AD-1 STYLE USED UNLESS OTHERWISE SPECIFIED.

THIS DRAWING AND THE DESIGN SHOWN ARE THE PROPERTY OF TMI INCORPORATED. REPRODUCTION OR USE OF THIS DRAWING FOR ANY PURPOSE OTHER THAN THAT SPECIFIED SHALL BE VIEWED AS INFRINGEMENT AND BE SUBJECT TO LEGAL ACTION.

REV.	DESCRIPTION	DATE	BY	TMI Incorporated 5350 Campbell Run Road, Pittsburgh, PA 15205-9738
				SCALE: 1:96
				DRAWN BY: A. LOIZZO
				TITLE: B410x125-AD*
				DATE: 01.2003
				PART NO.