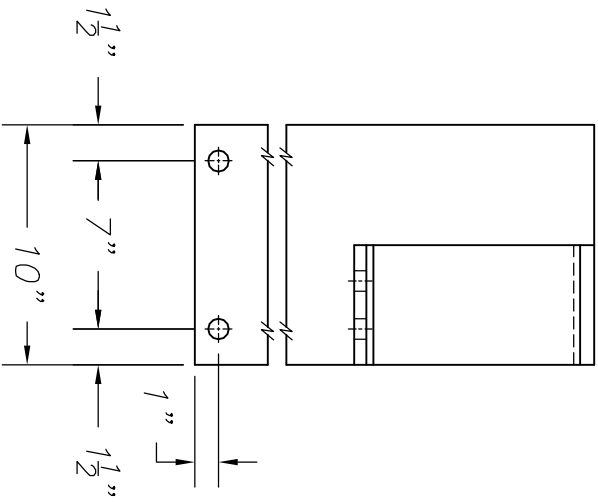
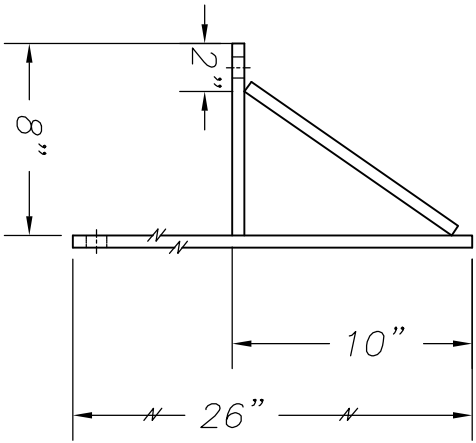


TOP VIEW



FRONT VIEW



RIGHT SIDE VIEW

NOTES:

- IF DOCK BUMPER MUST BE WELDED TO BRACKET SPECIFY "WELD" ON ORDER.
- "P2" STYLE DOCK BUMPER MUST BE ORDERED IF WELDING TO BRACKET IS REQUIRED.
- STEEL BRACKETING SPECIFICATIONS: $\frac{1}{2}$ " STEEL STANDARD
- ALL MOUNTING HOLES ARE: $\frac{7}{8}$ " DIAMETER

ALL TOLERANCES ARE $\pm 1/8$ " UNLESS OTHERWISE NOTED.

ESTIMATED GROSS SHIPPING WEIGHT = 37 lbs.

THIS DRAWING AND THE DESIGN SHOWN ARE THE PROPERTY OF TMI INCORPORATED. REPRODUCTION OR USE OF THIS DRAWING FOR ANY PURPOSE OTHER THAN THAT SPECIFIED SHALL BE VIEWED AS INFRINGEMENT AND BE SUBJECT TO LEGAL ACTION.



inc.

TMI incorporated
5350 Campbells Run Road,
Pittsburgh, PA 15205-9738

SCALE: 1:96

TMI inc. Appr.:

DATE:

DRAWN BY: A. IORIZZO

TMI inc. Appr.:

DATE:

TITLE
10"-RISER BRKT W. CUT-OUT

DATE: 12.2002

PART NO. 28-1103

REV.	DESCRIPTION	DATE	BY