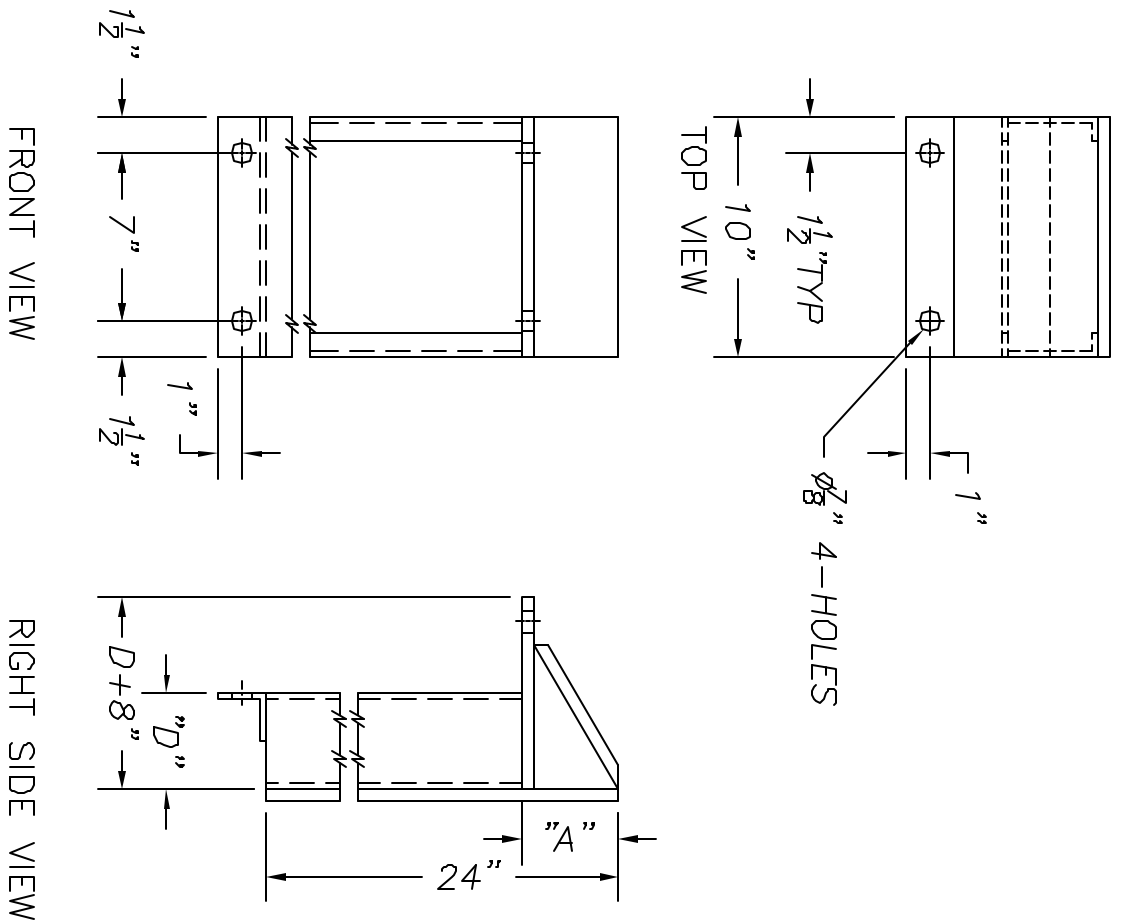


BRACKET SIZES			
PRT #	DIM'N: "A"	DIM'N: "D"	WEIGHT-LBS (APPROX)
28-1200		2"	
28-1201	4"	3"	85
28-1202		4"	
28-1203		2"	
28-1204	6"	3"	88
28-1205		4"	
28-1206	8"	2"	
28-1207		3"	
28-1208		4"	
28-1209		2"	
28-1210	10"	3"	94
28-1211		4"	



**NOTES:**  
 IF DOCK BUMPER MUST BE WELDED TO BRACKET SPECIFY "WELD" ON ORDER.  
 #2" STYLE DOCK BUMPER MUST BE ORDERED IF WELDING TO BRACKET IS REQUIRED.  
 STEEL BRACKETING SPECIFICATIONS: 1/2" STEEL STANDARD  
 ALL MOUNTING HOLES ARE: 7/8" DIAMETER  
 ALL TOLERANCES ARE ± 1/8"  
 UNLESS OTHERWISE NOTED.

THIS DRAWING AND THE DESIGN SHOWN ARE THE PROPERTY OF TMI INCORPORATED. REPRODUCTION OR USE OF THIS DRAWING FOR ANY PURPOSE OTHER THAN THAT SPECIFIED SHALL BE VIEWED AS INFRINGEMENT AND BE SUBJECT TO LEGAL ACTION.

**TMI Incorporated**  
 5350 Campbelle Run Road,  
 Pittsburgh, PA 15205-9738

SCALE: 1:96  
 DRAWN BY: A. LOIZZO  
 DATE: 12.2002

REV.	DESCRIPTION	DATE	BY	TITLE	PART NO.
				4" - ABOVE DOCK BUMPER RISER B'KT	28-1200 TO 28-1211