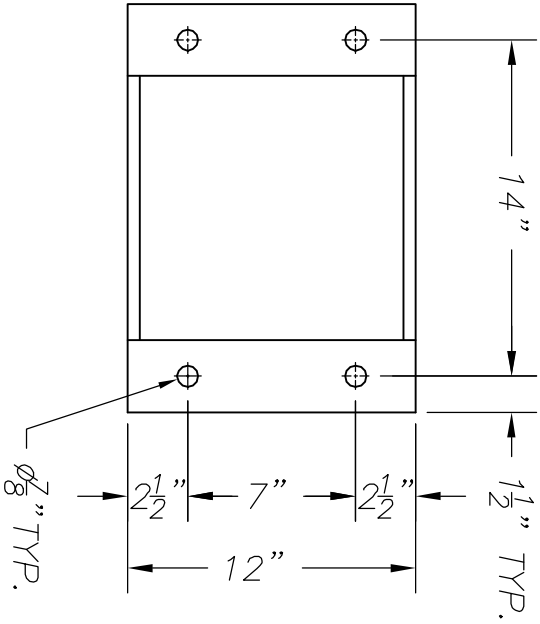


TOP VIEW



FRONT VIEW

NOTES:
 IF DOCK BUMPER MUST BE WELDED TO BRACKET
 SPECIFY "WELD" ON ORDER.
 "P2" STYLE DOCK BUMPER MUST BE
 ORDERED IF WELDING TO BRACKET IS REQUIRED.

ALL TOLERANCES ARE $\pm 1/8"$
 UNLESS OTHERWISE NOTED.

ESTIMATED GROSS SHIPPING WEIGHT = 21 lbs.

REV.	DESCRIPTION	DATE	BY	THIS DRAWING AND THE DESIGN SHOWN ARE THE PROPERTY OF TMI INCORPORATED. REPRODUCTION OR USE OF THIS DRAWING FOR ANY PURPOSE OTHER THAN THAT SPECIFIED SHALL BE VIEWED AS INFRINGEMENT AND BE SUBJECT TO LEGAL ACTION.
				TMI incorporated 5350 Campbells Run Road, Pittsburgh, PA 15205-9738
				SCALE: 1:96 DRAWN BY: A. LOIZZO DATE: 12.2002
				TMI inc. Appr.: DATE:
				TITLE: 5" x 12" DOCK BUMPER BUILD-OUT BRKT PART NO.: 28-2004