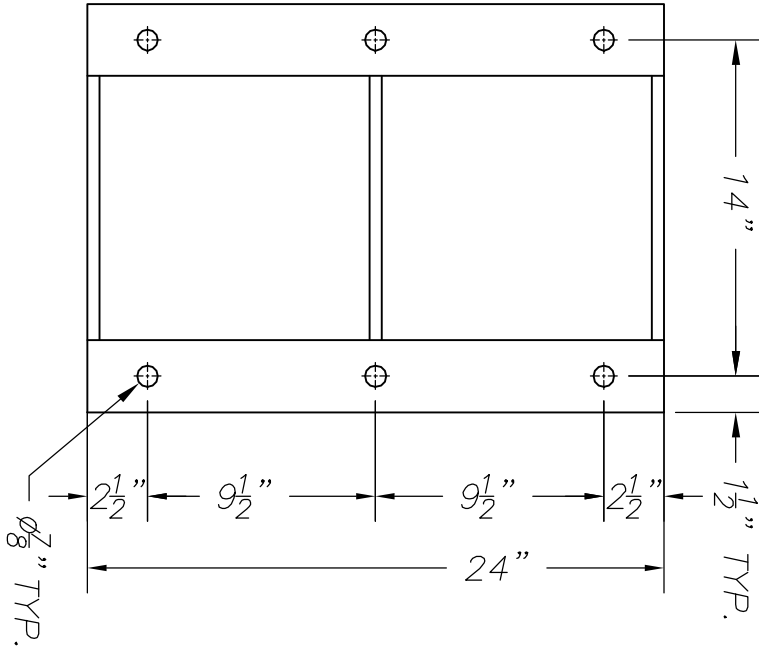


TOP VIEW




FRONT VIEW

NOTES:
 IF DOCK BUMPER MUST BE WELDED TO BRACKET
 SPECIFY "WELD" ON ORDER.
 "P2" STYLE DOCK BUMPER MUST BE
 ORDERED IF WELDING TO BRACKET IS REQUIRED.

ALL TOLERANCES ARE $\pm 1/8''$
 UNLESS OTHERWISE NOTED.

ESTIMATED GROSS SHIPPING WEIGHT = 14 lbs.

THIS DRAWING AND THE DESIGN
 SHOWN ARE THE PROPERTY OF
 TMI INCORPORATED. REPRODUCTION
 OR USE OF THIS DRAWING FOR
 ANY PURPOSE OTHER THAN THAT
 SPECIFIED SHALL BE VIEWED AS
 INFRINGEMENT AND BE SUBJECT
 TO LEGAL ACTION.

 TMI incorporated 5350 Campbells Run Road, Pittsburgh, PA 15205-9738	
SCALE: 1:96	DATE:
DRAWN BY: A. Iozzo	DATE:
TMI Inc. Appr.:	DATE:
TITLE: 1" x 24" DOCK BUMPER BUILD-OUT BRKT	
DATE: 12.2002	PART NO: 28-2200