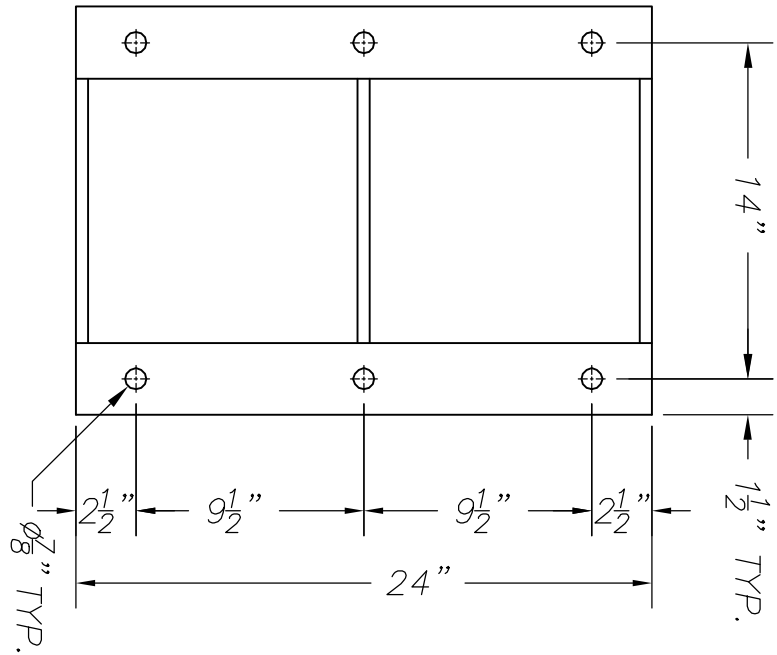


TOP VIEW




FRONT VIEW

NOTES:  
 IF DOCK BUMPER MUST BE WELDED TO BRACKET  
 SPECIFY "WELD" ON ORDER.  
 "P2" STYLE DOCK BUMPER MUST BE  
 ORDERED IF WELDING TO BRACKET IS REQUIRED.

ALL TOLERANCES ARE  $\pm 1/8''$   
 UNLESS OTHERWISE NOTED.

ESTIMATED GROSS SHIPPING WEIGHT = 36 lbs.

THIS DRAWING AND THE DESIGN SHOWN ARE THE PROPERTY OF TMI INCORPORATED. REPRODUCTION OR USE OF THIS DRAWING FOR ANY PURPOSE OTHER THAN THAT SPECIFIED SHALL BE VIEWED AS INFRINGEMENT AND BE SUBJECT TO LEGAL ACTION.

 TMI incorporated 5350 Campbells Run Road, Pittsburgh, PA 15205-9738	
SCALE: 1:96	DATE:
DRAWN BY: A. Iozzo	DATE:
TITLE: 3"x24" DOCK BUMPER BUILD-OUT BRKT	DATE:
DATE: 12.2002	PART NO: 28-2202