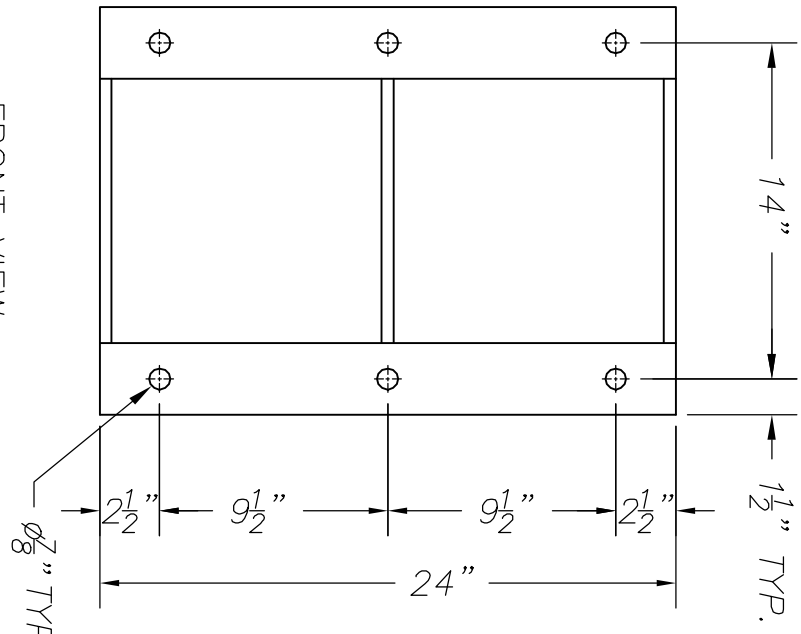


TOP VIEW



FRONT VIEW

NOTES:  
 IF DOCK BUMPER MUST BE WELDED TO BRACKET  
 SPECIFY "WELD" ON ORDER.  
 "P2" STYLE DOCK BUMPER MUST BE  
 ORDERED IF WELDING TO BRACKET IS REQUIRED.

ALL TOLERANCES ARE  $\pm 1/8"$   
 UNLESS OTHERWISE NOTED.

ESTIMATED GROSS SHIPPING WEIGHT = 42 lbs.

THIS DRAWING AND THE DESIGN  
 SHOWN ARE THE PROPERTY OF  
 TMI INCORPORATED. REPRODUCTION  
 OR USE OF THIS DRAWING FOR  
 ANY PURPOSE OTHER THAN THAT  
 SPECIFIED SHALL BE VIEWED AS  
 INFRINGEMENT AND BE SUBJECT  
 TO LEGAL ACTION.

TMI incorporated  
 5350 Campbells Run Road,  
 Pittsburgh, PA 15205-9738

SCALE: 1:96  
 DRAWN BY: A. Iozzo  
 DATE: 12.2002

TMI inc. Appr.:  
 DATE:

TMI inc. Appr.:  
 DATE:

REV.	DESCRIPTION	DATE	BY
1	DIMENSION 2-1/2" RE-LOCATED	9/7/107	a.i.