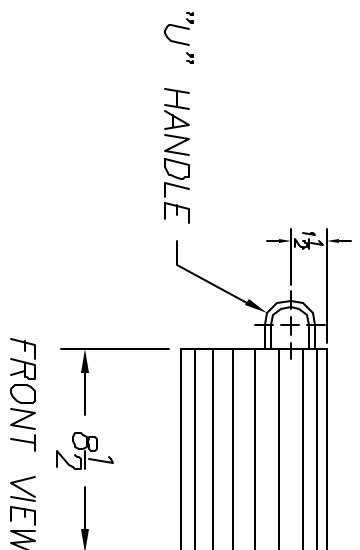
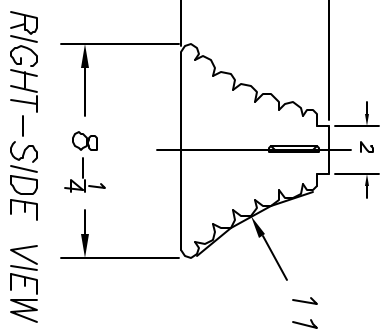


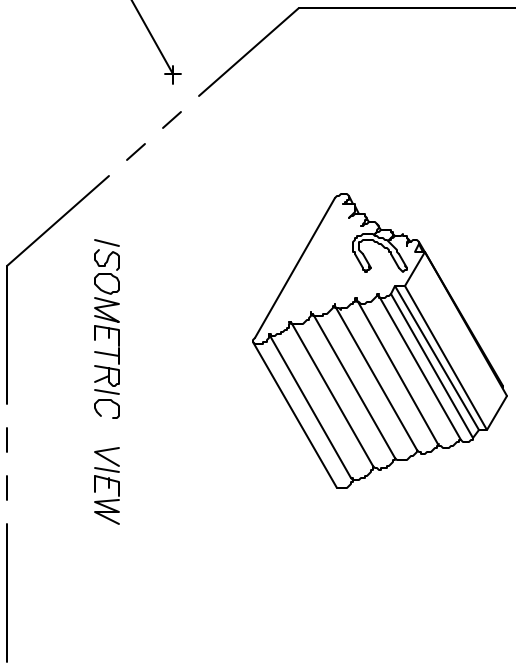
TOP VIEW



FRONT VIEW



RIGHT-SIDE VIEW




ISOMETRIC VIEW

SECURITY CHAIN (OPTIONAL)  
 3/16" PROOF COIL CHAIN, BRIGHT ZINC FINISH,  
 0.4 LBS PER LINEAR FT.  
 STANDARD LENGTHS: 10', 12', 15', 20'  
 ESTIMATED GROSS SHIPPING WEIGHT = 9 Lbs.

NOTES:  
 ALL TOLERANCES ARE  $\pm 1/4$ "  
 UNLESS OTHERWISE NOTED.

THIS DRAWING AND THE DESIGN SHOWN ARE THE PROPERTY OF TMI INCORPORATED. REPRODUCTION OR USE OF THIS DRAWING FOR ANY PURPOSE OTHER THAN THAT SPECIFIED SHALL BE VIEWED AS INFRINGEMENT AND BE SUBJECT TO LEGAL ACTION.

		TMI Incorporated 5350 Campbells Run Road, Pittsburgh, PA 15205-9738	
SCALE:	1:8	TMI Inc. Appr.:	DATE:
DRAWN BY:	A. GIZZO	TMI Inc. Appr.:	DATE:
TITLE WHEEL CHOCK MODEL 68-9 ( "U" HANDLE )			
DATE:	02.2003	PART NO.	