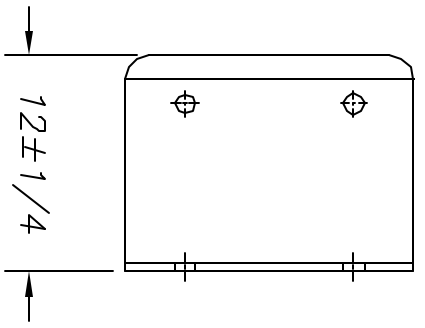
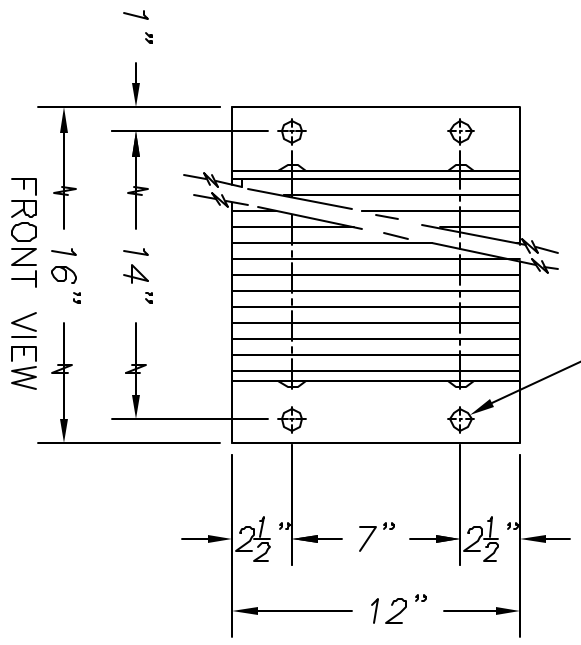


Ø 7/8" TYP.




**NOTES:**  
 UNIT SHOWN IS "ANGLES BOTH SIDES" (B1212-14)  
 STANDARD "P1" CONFIGURATION (B1212-14/P1)  
 IS ANGLE ONE SIDE, FLAT ON OTHER,  
 FOR WELDING TO DOCK FACE ON ONE SIDE  
 AND ANCHORING TO DOCK FACE ON THE OTHER.  
 "P2" CONFIGURATION (B1212-14/P2)  
 IS FLAT BOTH SIDES FOR WELDING  
 TO DOCK FACE ON BOTH SIDES.  
 ALL TOLERANCES ARE ± 1/8"  
 UNLESS OTHERWISE NOTED.  
 ESTIMATED GROSS SHIPPING WEIGHT = 98 lbs.

RIGHT SIDE VIEW

FRONT VIEW

TOP VIEW

REV.	DESCRIPTION	DATE	BY	THIS DRAWING AND THE DESIGN SHOWN ARE THE PROPERTY OF TMI INCORPORATED. REPRODUCTION OR USE OF THIS DRAWING FOR ANY PURPOSE OTHER THAN THAT SPECIFIED SHALL BE VIEWED AS INFRINGEMENT AND BE SUBJECT TO LEGAL ACTION.
				 TMI Incorporated 5350 Campbells Run Road, Pittsburgh, PA 15205-9738
				SCALE: 1:96 DRAWN BY: A. Iuzzo TITLE: B1212-14 DATE: 01.2003
				TMI Inc. Appri: DATE: PART NO.