

CLEANING

Cleaning the Oven Curtain is extremely simple. Remove each panel separately and wash with soap and water in a utility tub or on a flat surface. After cleaning, rehang each panel in its appropriate area.

DO NOT use abrasive cleaning agents or scouring pads. Using mild soap or liquid detergent with soft sponge or washcloth is preferred.

NOTES:

OTHER CURTRON PRODUCTS



STRIP DOORS



AIR DOORS



**CASER
COOLER CURTAINS**



**CURTRONIZER™
STRIP DOORS**



**POLAR-PRO™
SWINGING DOORS**



RACK COVERS

*Make Food **SAVE-T**® Products
Your Number One Priority!*

Curtron Products
a division of TMI, LLC

800•833•5005

Curtron Products • 5350 Campbells Run Road • Pittsburgh, PA 15205-9738 • 412.787.9750
• Fax: 412.787.3665 • Web Site: www.curtronproducts.com • E-Mail: info@curtronproducts.com

COOLKEEPER™ OVEN CURTAINS

INSTALLATION INSTRUCTIONS



*Make Food **SAVE-T**® Products
Your Number One Priority!*

Your Coolkeeper creates a
thermal barrier by attaching flexible PVC
panels to the oven's exhaust hood.

Curtron Products
a division of TMI, LLC

TO INSTALL

Each Oven Curtain is made to your specific dimensions and consists of multiple sections of clear flexible PVC. Your exhaust hood has either three exterior surfaces (A, B, C) or four surfaces (A, B, C, D) (See Fig. 1). Sides A and B have 3 separate sections. Side C could be one piece or 3 sectional pieces if the oven is equipped with Side Doors.

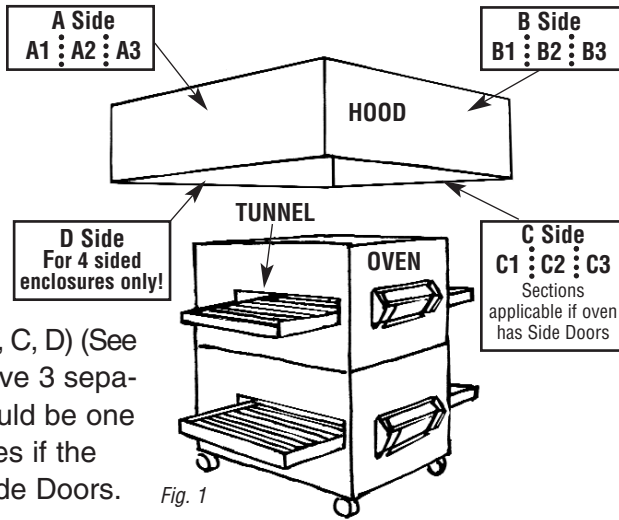


Fig. 1

Each panel is clearly marked with a label, indicating the proper side and section. Also, each panel has a hook and loop fastener strip attached to its top edge. There is a corresponding piece of hook and loop (the other half) that has been cut to size and is unattached. Each loose piece of hook and loop should be attached to its corresponding PVC panel. (See Fig. 2). NOTE: At this point . . . DO NOT REMOVE THE PRESSURE SENSITIVE BACKING.

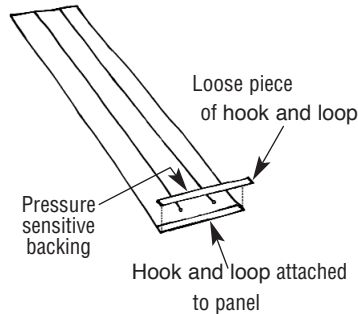


Fig. 2

First, on the "A" side of the hood, hold Panel "A1" against the hood, making sure that the left edge of the panel is flush with the left edge of the hood. (See Fig. 3). The bottom of the panel should be approximately 1" from the floor. Mark the hood at the right edge and top of the panel. Remove the hook and loop pressure sensitive backing and attach the panel to the hood.

Second, place Panel "A3" against the right edge of the hood, 1" above the floor and mark the hood at the left edge and top of the panel. (See Fig. 4). Again, remove the hook and loop fastener pressure sensitive backing and attach the panel to the hood.

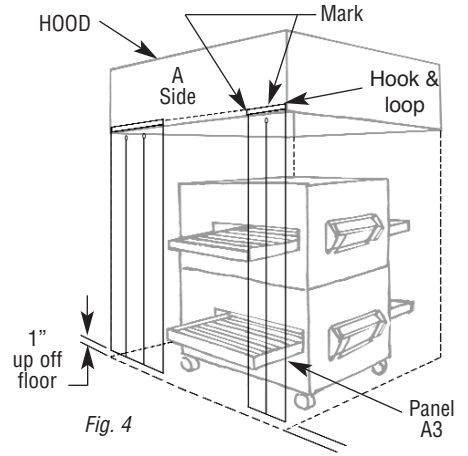


Fig. 4

Next, measure the distance from the floor to 1" above the top "conveyer tunnel's" top edge. Mark that measurement on the side of each mounted panel (A1 & A3). (See Fig. 5).

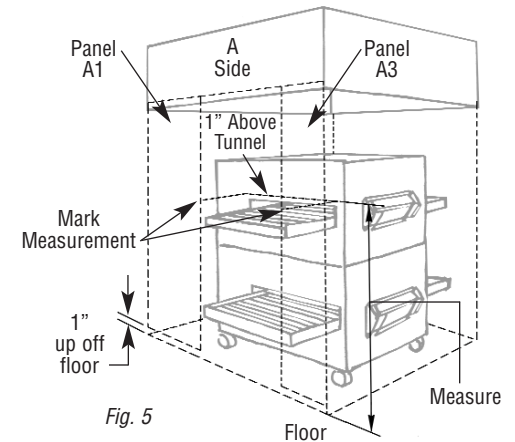


Fig. 5

Finally, hold Panel "A2" against the hood, so the bottom edge aligns with the side marks and mark the hood at the top of the panel. Remove the hook and loop pressure sensitive backing and attach the panel to the hood. (See Fig. 6)

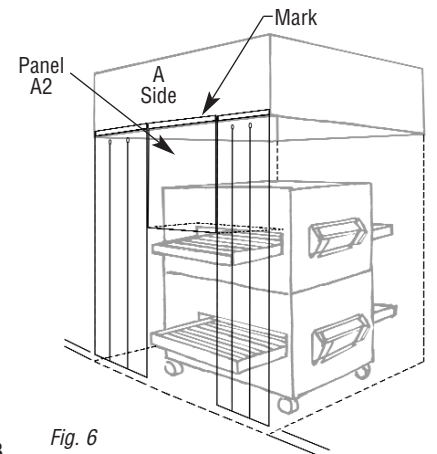
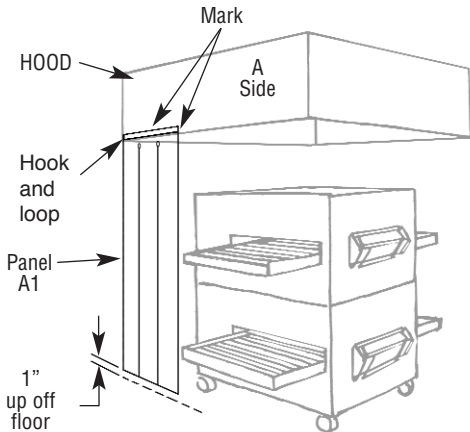
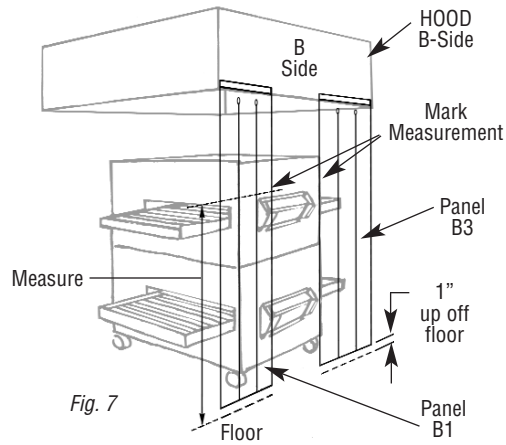


Fig. 6

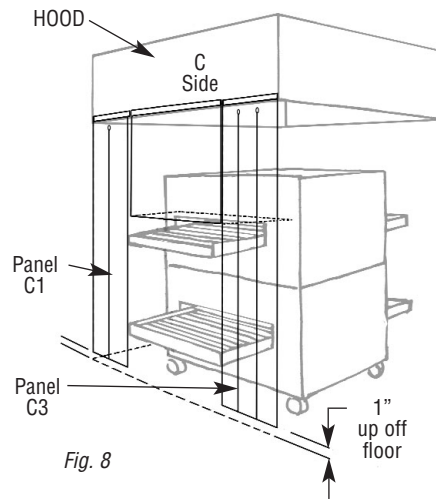
Fig. 3



Following this same procedure, continue to Side "B". First, attach Panel "B1", then Panel "B3" (see Fig.7). Next, measure the distance from the floor to 1" above the top "side doors" top edge (if applicable). Mark that measurement on the side of each mounted panel (B1 & B3), (same as Side "A"). If the oven is not equipped with Side Doors, there will be just one panel (B1) to attach.



Side "C" panels (Fig. 8) should be attached in the same manner as Side "A".



And finally, if your oven exhaust hood has four (4) exterior sides, Side "D" should be attached to the hood, so the panel stretches edge-to-edge, approximately 1" from the floor.

