



DLFAN Series

18" Warehouse Fan With Lighting Option



Shown with optional heavy duty mounting bracket and HPS lamp

Description

The DLFAN series warehouse fan from Tri Lite provides you with a powerful ventilation and cooling solution. It can be mounted up and out of the way and still direct airflow in any direction desired. Your choice of 24", 40" or 60" arm lengths.

Featuring a heavy duty, low vibration 3 speed 18" fan, this system can move over 8,000 cubic feet of air per minute. This helps your facility realize increased safety and productivity by keeping your employees cool on those hot summer days. In the winter, it decreases thermal stratification, keeping the warehouse more comfortable while reducing heating costs.

For even more versatility, add a lamp head assembly and put light anywhere you need it. Lamp choices include cool, durable polycarbonate, metal and energy efficient high pressure sodium.

All Tri Lite fans and dock lights are UL / cUL listed.

Features

- High output fan provides safer and more comfortable environment for warehouse workers.
- Arm design allows fan to be mounted out of the way.
- Provides adjustable airflow.
- Durable design and construction for reduced maintenance costs.
- Easy to install.
- UL listed.

Typical Applications

Excellent for anywhere you need dependable, high volume ventilation:

- Warehouse loading docks.
- Production facilities.
- Auto shops.
- Machine rooms.
- Rail car loading platforms.

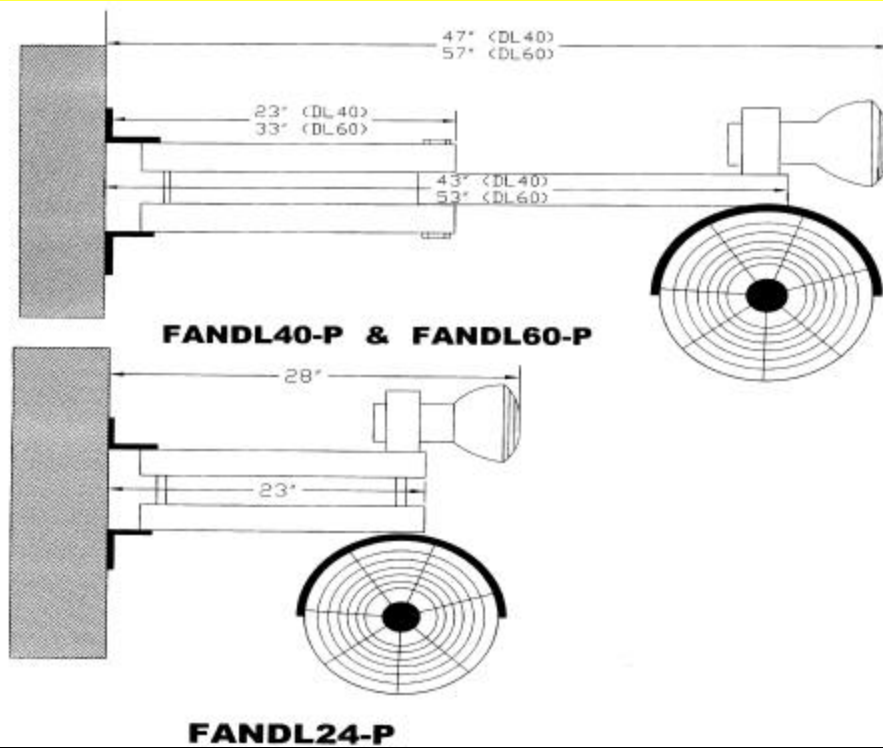
Fan Specifications

Blade Diameter.....18 inches
 Weight.....24 lbs.
 Voltage.....115 V

Speed	Air Flow	Noise	Current
High	8250 c.f.m	67 dbA	1.65 Amps
Medium	7200 c.f.m	58 dbA	1.27 Amps
Low	6050 c.f.m	49 dbA	0.95 Amps



DLFAN Series



Model Number Information

Replacement Part Information

Fans with Mounting Arms

DLFAN24.....	24" - 30 lbs
DLFAN40.....	40" - 33 lbs
DLFAN60.....	60" - 37 lbs

Warehouses are busy, hectic places. While Tri Lite DLFAN series fans and lights are very durable, each component is available should the need arise. The more common items are listed.

Description

Part Number

Fan / Light Combo's with Mounting Arms

FANDL24-P.....	24" - 31 lbs
FANDL40-P.....	40" - 34 lbs
FANDL60-P.....	60" - 38 lbs

Metal Lamp Head.....	INCHEAD
Polycarbonate Lamp Head.....	INCHEAD-P
HPS Lamp Head.....	HPSHEAD-P
Snap-in IEC Receptacle for Arm.....	413019
Heavy Duty Mounting Bracket.....	HDWB
V Power Adaptor Cord.....	733031

Information is available for these additional Tri Lite / Mars Products



rev:03/06