

Note: All hardware is zinc plated

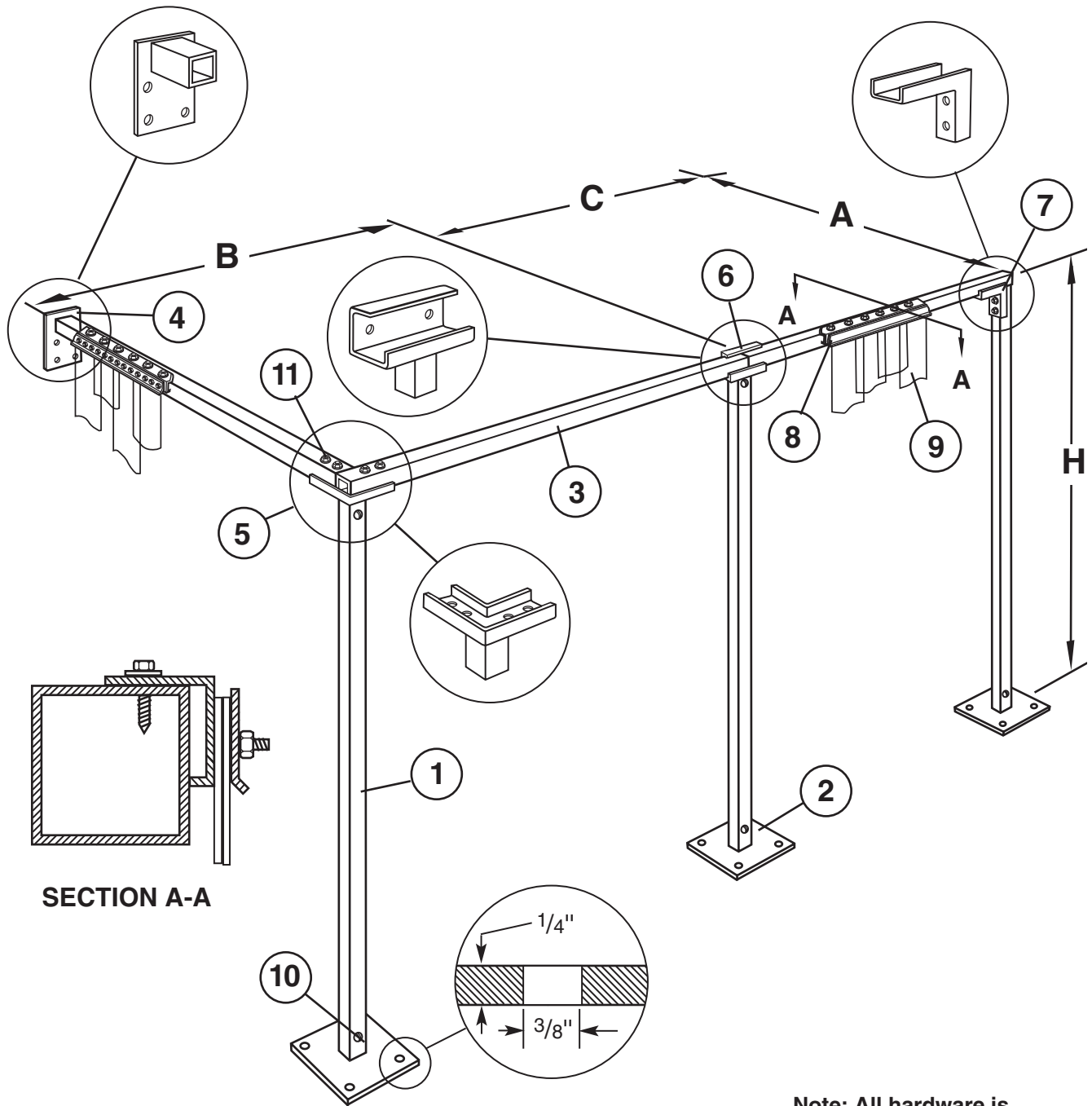
Part No.	Description	Part No.	Description
1	Structural Tube 2" x 2" x 12 Gauge	7	Hex Head Bolt $\frac{5}{16}$ " x 3"
2	Base Plate 12" x 12" x $\frac{1}{4}$ "	8	Tec Screw #12
3	Structural Tube 2" x 2" x 12 Gauge		
4	Three-Way Corner Fitting		
5	Pre-Studded U.L. Hardware		
6	PVC <i>SAVE-T</i> Strips		



TMI, LLC
5350 Campbells Run Road
Pittsburgh, PA 15205-9738

800-888-9750
Tel: 412-787-9750 Fax: 412-787-3665

SAVE-T
ENCLOSURE



SECTION A-A

Note: All hardware is zinc plated

Part No.	Description	Part No.	Description
1	Structural Tube 2" x 2" x 12 Gauge	7	End Corner Fitting
2	Base Plate 12" x 12" x 1/4"	8	Pre-Studded U.L. Hardware
3	Structural Tube 2" x 2" x 12 Gauge	9	PVC <i>SAVE-T</i> ® Strips
4	Wall Mount Fixture	10	Tec Screw #12
5	Three-Way Corner Fitting	11	Hex Head Bolt 5/16" x 3"
6	Splice and Support Fitting		



TMI, LLC
5350 Campbells Run Road
Pittsburgh, PA 15205-9738

800-888-9750
Tel: 412-787-9750 Fax: 412-787-3665

***SAVE-T*®**
ENCLOSURE