

PHOENIX FLEX LED DOCKLITE®

LED LOADING DOCK LIGHT WITH FLEXIBLE ARM AND POLYMER HEAD



DESCRIPTION: The *Phoenix FLEX LED docklite*® provides light comparable to an incandescent dock light with a 150W PAR38 lamp. With its minimalist construction and sleek profile, the Phoenix FLEX LED exudes style in an often otherwise utilitarian environment. Its compact design minimizes the potential for unintended impact with overhead doors or fork trucks on loading docks. When impact does occur, the flexible arm and hinged bracket allow the fixture to swing easily out of the way. With no filament to break, the solid state light source readily withstands impact. The FLEX LED is energy efficient and extremely low maintenance.

SPECIFICATIONS

Housing: Robust, high-temperature, polycarbonate polymer housing resists denting, deflection and wear. Proven durability even with cold-weather impact. Vented to maintain longevity of LEDs.

Arm: The flexible tubing used in the FLEX LED *docklite*® arm includes a coiled spring. This spring may recoil a few inches after positioning. The FLEX LED *docklite*® then is well-suited for the general illumination of a truck trailer but is not recommended for use in applications which require precise aiming.

Light Source: Light emitting diodes (LED) with 50,000 hours average rated life. Polycarbonate optics with a 12° beam angle. LED module is conformal coated for moisture resistance.

Performance: Provides light comparable to an incandescent dock light with a 150W PAR38 lamp. Operating on only 16W, the LED head offers an 84% energy savings over an incandescent dock light with a 150W lamp. Minimum starting temperature: -30° C. For optimal life and light output, fixture should be operated in temperatures at or below 25° C. LM79 photometric test data available. Contact factory.

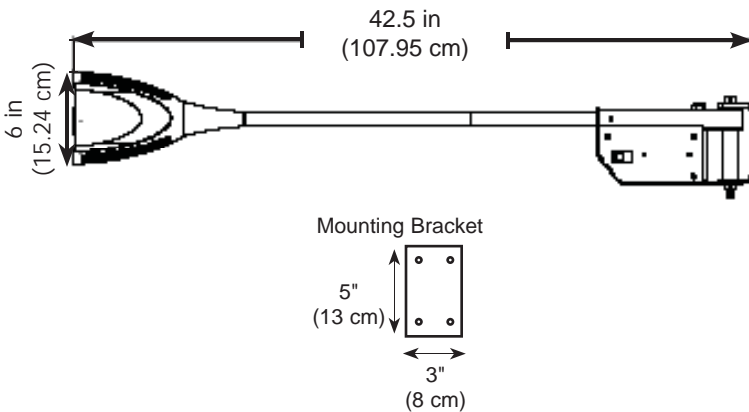
Mounting Bracket: 3" x 5" zinc-plated steel. Compatibility with most dock light mounting hardware allows for easy installation.

Hardware: Zinc-plated steel hardware resists corrosion

Electrical: On-off 125V 15A rocker switch. Wear-resistant, 3-prong plug fits standard electrical outlets.

COMPLIANCES

UL 153 Listed: Portable Luminaires



Packaged Weight: 12 lbs (5.4 kg)

Patent No. D586,949

3 YEAR WARRANTY

A three-year limited warranty against defects in material and workmanship is standard on all *docklite*® finished goods. See Standard Terms and Conditions for details.

ORDERING INFORMATION

SERIES	TYPE	LAMP
DLP	FLEX	LED
DLP	FLEX	LED

N5499791B