

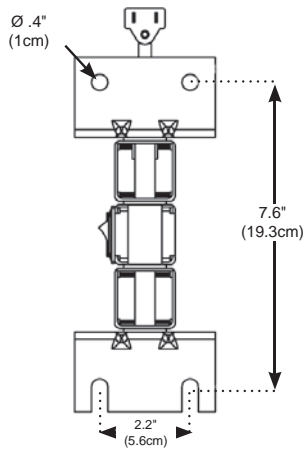
Light Duty Double Strut Modular *docklite*® Arm

DESCRIPTION: The Light Duty Double Strut Modular *docklite*® Arm is the newest addition to the Phoenix Modular arm line. This unit provides all the same benefits of a double strut arm, while using a lighter weight construction. The Light Duty Double Strut arms can support the weight of any one Phoenix Products modular heads and one modular, three-speed fan.

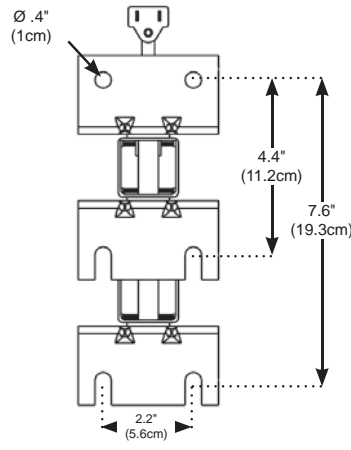


60 Inch Model Shown

42 Inch Model Mounting



60 Inch Model Mounting



Estimated Weight:
42 Inch Unit: 10 lbs
60 Inch Unit: 13 lbs
NOTE: Add approximately 3lbs to each for shipping weight

SPECIFICATIONS

ARM: 1.5 inch square steel tube arms, washers at all joints and bushings at bracket joints for smooth operation, greater stability, and longer wear. Safety yellow, thermoset powder-coated finish for high visibility.

CORD: Wear-resistant, 3-conductor AC cord fits directly into standard 120V outlet.

SWITCH and RECEPTACLES: On-Off rocker switch controls power to one of the two IEC type receptacles.

HARDWARE: All hardware is zinc plated.

BRACKET: Three piece mounting bracket on 60 inch model, two piece mounting bracket on 42 inch model for quick and easy installation. (*Dimensions to the left*)

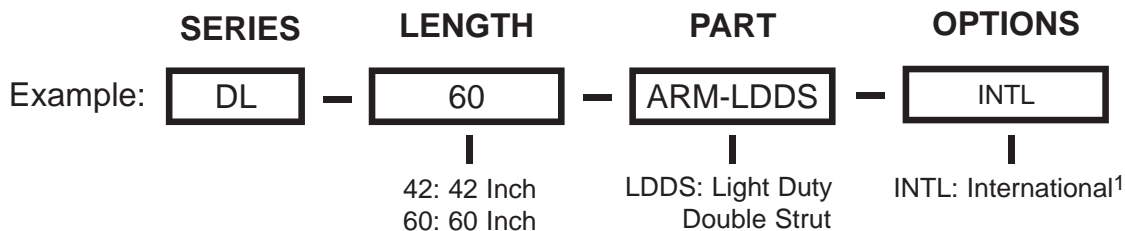
COMPLIANCES

cUL and UL 153 Listed: Work Light Accessory



This Product meets the requirements for the Buy American Act, or BAA (US Code, Title 41, Section 10a-10d) and may also meet other country of origin requirements. For additional information, please visit our website, www.phoenixproducts.com.

ORDERING INFORMATION



¹International arms have no UL or cUL certification and do not have a plug on the cord. Operate on maximum 250 volt, 50/60 Hz.

N5499820A