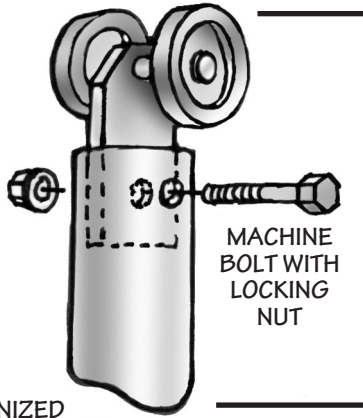
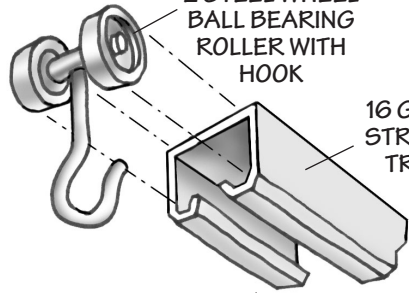


2 STEEL WHEEL BALL BEARING ROLLER WITH CONNECTOR

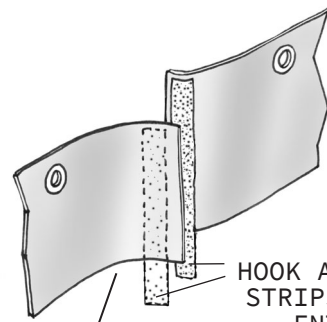


MACHINE BOLT WITH LOCKING NUT

2 STEEL WHEEL BALL BEARING ROLLER WITH HOOK



16 GAUGE STRAIGHT TRACK



HOOK AND LOOP STRIPS ALONG ENTIRE CURTAIN EDGE

1" GALVANIZED PIPE



SELF-TAPPING METAL SCREW



"S" HOOK & BEAD CHAIN TO HOLD ANCHOR ROD IN OPEN POSITION

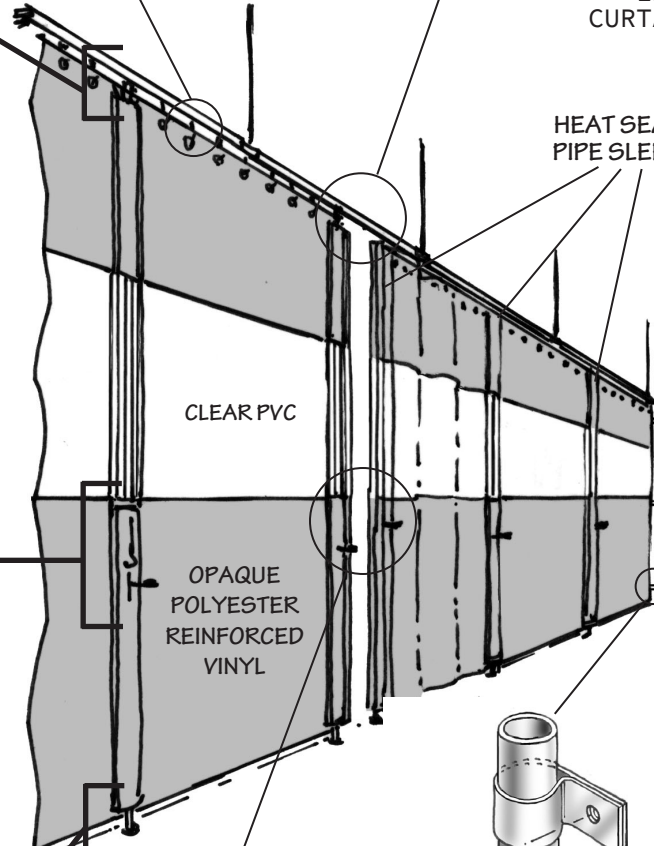
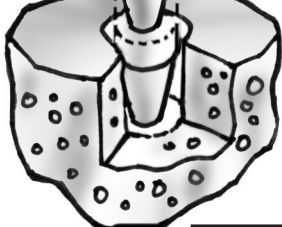
CANE BOLT LIFTING CATCH

3/4" STEEL ANCHOR ROD



NOTCHES FOR OPEN-END WRENCH

DRILLED FLOOR HOLE FOR ANCHOR ROD



CLEAR PVC

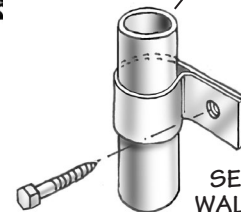
OPAQUE POLYESTER REINFORCED VINYL

HEAT SEALED PIPE SLEEVES

VARIES

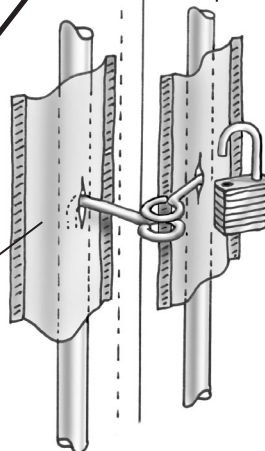
24"

53"



SECURITY WALL STRAP ATTACHED WITH LAG SCREW & ANCHOR OR WOOD SCREW

HEAT SEALED PIPE SLEEVES



CANE BOLT LIFTING CATCHES CAN BE LOCKED TOGETHER TO SECURE THE ENCLOSURE

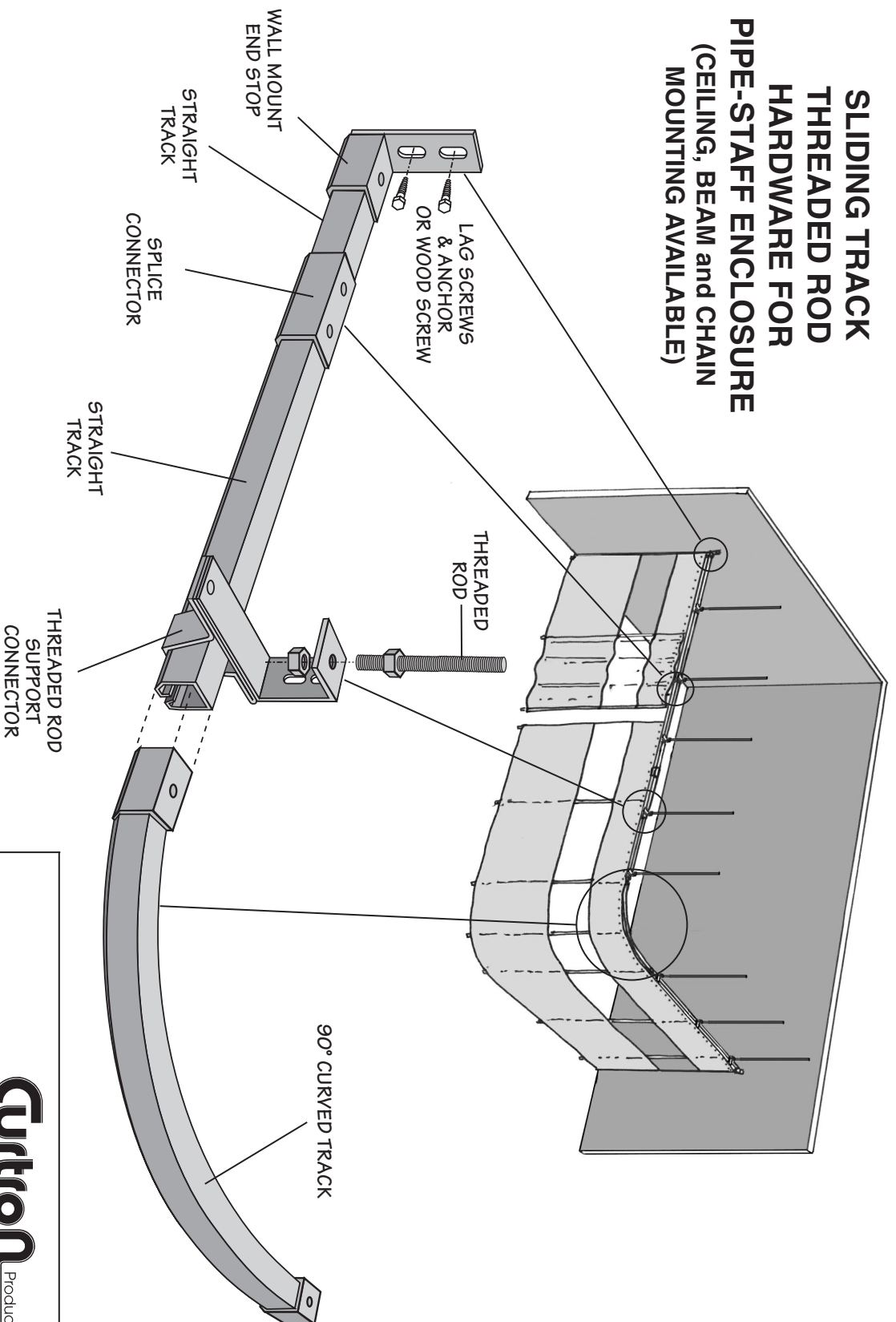
Curtron Products
a division of TMI, LLC

5350 Campbells Run Road
Pittsburgh, PA 15205-9738
800-833-5005

Tel: 412-787-9750 • Fax: 412-787-3665

SAVE-T
**PIPE-STAFF
ENCLOSURE**

**SLIDING TRACK
THREADED ROD
HARDWARE FOR
PIPE-STAFF ENCLOSURE
(CEILING, BEAM and CHAIN
MOUNTING AVAILABLE)**



5350 Campbells Run Road • Pittsburgh, PA 15205-9738
800-833-5005
Tel: 412-787-9750 • Fax: 412-787-3665



SAFET[®] PIPE-STAFF ENCLOSURE