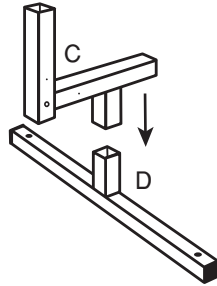


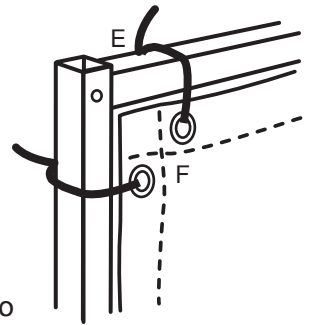


Free-Standing Weld Screens Assembly Instructions

1. Insert bottom corners (C) into platform legs (D) forcing leg past center punch in bottom corners to lock in place.

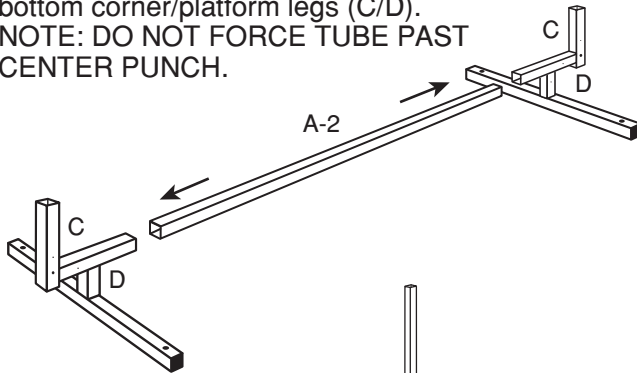


6. Attach curtain (F) to frame using supplied curtain ties (E), through the grommets (E), through the grommets and around the frame. Start at top corners.

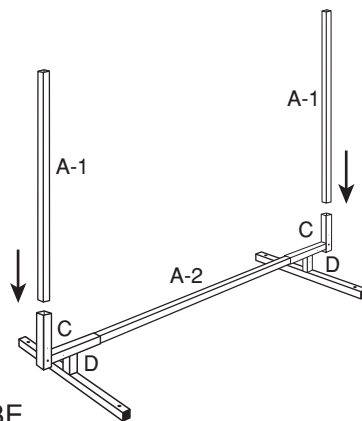


For best appearance, ties should be re-tightened after curtains have been allowed to hang for several days.

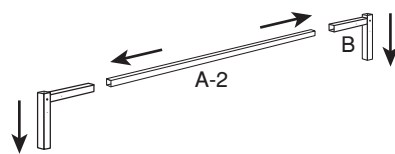
2. Slide horizontal tube (A-2) (the size you wish to be the width) into the assembly bottom corner/platform legs (C/D).
NOTE: DO NOT FORCE TUBE PAST CENTER PUNCH.



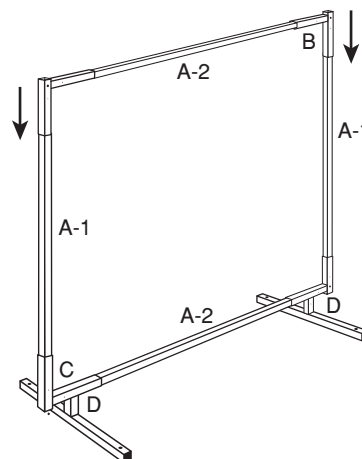
3. Insert vertical tubes (A-1) (the size that you wish to be the height) into the top of the open end of the assembled bottom corner/platform legs (C/D).
NOTE: DO NOT FORCE TUBE PAST CENTER PUNCH.



4. Slide the remaining tube (A-2) into the top corners (B).



5. Slip the completed assembly down on top of the vertical tubes, as assembled from step 3.



PARTS LIST

(A) Straight Tubes – 4 ea.
2ea – for vertical size A-1
2ea – for horizontal size A-2

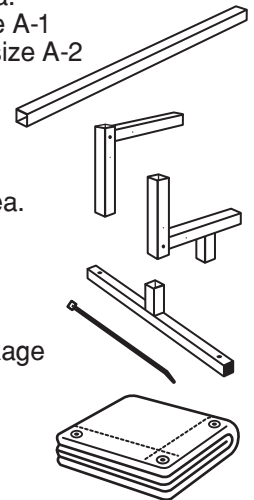
(B) Top corners – 2 ea.

(C) Bottom corners – 2 ea.

(D) Platform legs – 2 ea.

(E) Curtain ties – 1 package

(F) Curtain – 1



OPTIONAL PARTS LIST

Standard
Caster
082-54600

Locking
Caster
082-54606

Single
Caster Leg
082-54601



FRAME CONNECTORS



2-WAY
082-54202



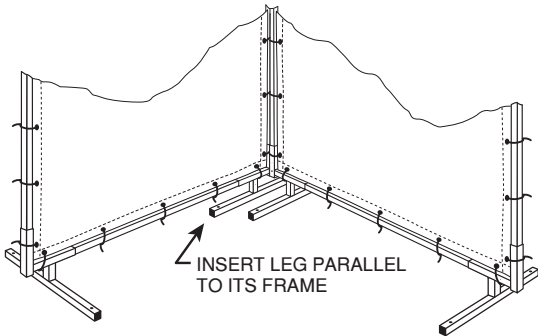
3-WAY
082-54203



4-WAY
082-54204

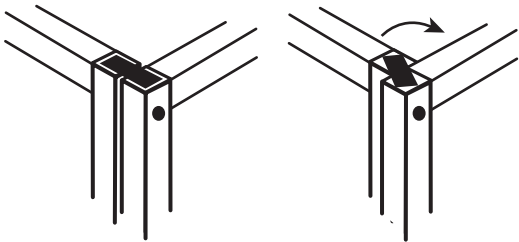
*Please Note: Black plastic end caps for platform legs are packed in the curtain tie bag.

TIPS FOR JOINING SCREENS TO MAKE MULTI-PANEL ENCLOSURES



When two Screens are connected and turned at right (90°) angle, the platform legs will interfere with one another. Easily correct by removing one of the platform legs and turning it 90° so that it is parallel with its frame and with the platform leg on the adjoining Screen.

If connecting Screens at angles other than 90° that it creates interference, a single caster leg (082-54601) is available. If adding caster wheels to Screens for mobility, four Casters (082-54600) are required per Screen (2 per leg). Locking casters also available (082-54606).

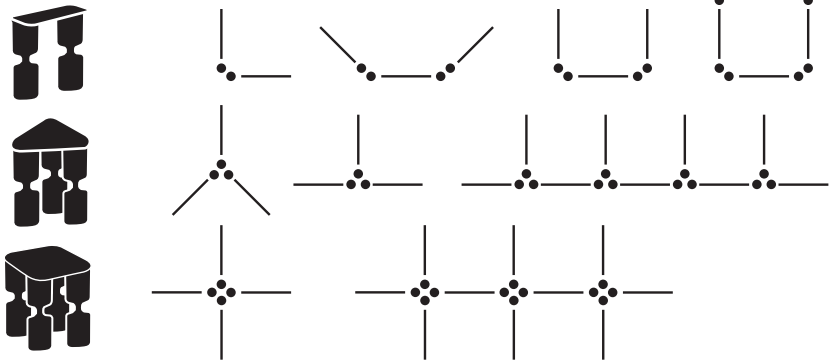


To minimize the gap between adjoining Screens, the corners can be offset so that the frames overlap each other.

IMPORTANT INFORMATION

Individual Screens may be joined to one another with Frame Connectors (as shown). Frame Connectors are sold in pairs and are placed at the top and bottom of each frame corner.

Note: Pre-punched holes in corners allow for push pins to hold Frame Connectors in place.



NOTICE: Flame retardant vinyl curtains will become stiff when exposed to cold temperatures. To prevent vinyl from cracking, allow curtains to warm to room temperature before unfolding.

WARNING: Transparent Vinyl welding curtains are not intended as a substitute for normal eye protection for close or long-term viewing. The user must wear protective eyewear suitable for the application. Clear Transparent Vinyl is not for use in welding applications.

DISCLAIMER: TMI screens, curtains, accessories, and all other products in this catalog are warranted to be free from manufacturing defects only. Because applications vary, the user must determine product suitability for a specific application and the user assumes all risks in connection therewith. A careful analysis should be made before selecting protective equipment for each particular application. As a result of variations in raw material specifications, recommended applications, temperatures, and other stated variables and specifications are presented as a general guideline only and are provided without any guarantee or responsibility on the part of TMI. TMI reserves the right to change its recommendations and specifications as further knowledge of a specific application is gained. While TMI believes all the information to be accurate, it is not responsible for typographical errors.

IMPORTANT INFORMATION PLEASE READ:

A. All corners have a built-in stop pre-punched into corner. Do not force tubes past this stopping point (except for Step 1 on platform legs).

B. Be sure that open ends of corners are kept in a vertical position. The top corner (B) open end should face up and the bottom corner (C) open end should face down. This allows the corner to accept Frame Connectors used to joining Screens together (Optional Accessories). When Frame Connectors are used, they are locked into top and bottom corners with push pins, which are inserted into the pre-punched holes in the corners.



TMI, LLC • 5350 Campbells Run Road • Pittsburgh, PA 15205
Toll Free: 1-800-888-9750 • Phone: 412-787-9750 • Fax: 412-787-3665
Web: www.tmi-pvc.com • Email: info@tmi-pvc.com