

**SAVE-T<sup>®</sup> Solutions**  
a division of TMI, LLC

See Our **NEW**  
**SAVE-T<sup>®</sup>**  
**PRODUCTS**  
Inside

# LOADING DOCK ACCESSORIES and SAFETY PRODUCTS



*Overhead Door Track Guards*



*Loading Dock Lights*



*Save-T Protection Products*



*Trailer Stands and  
Dock Accessories*

**TMI** LLC  
Managing Environments™

# SAVE-T® Bumpers, Wheel Chocks & Track Guards



## Save-T LAMINATED RUBBER BUMPERS

Laminated Bumpers are constructed of recycled truck tire pads compressed between steel angles and secured with 3/4" steel tie rods. Laminated bumpers, the most common style, protect both trucks and docks. Our complete line includes all sizes from 4-1/2" to 12" thick in horizontal, vertical, extra-length, and extra-thick styles. Gussets for lower loading docks and special sizes are also available.

See Back Cover  
for Product  
Model Numbers

## Save-T STEEL FACED BUMPERS

Steel Faced Bumpers with a 3/8" thick steel front plate should be used where maximum protection is desired. They will absorb more shock and abrasion than standard laminated bumpers, and absorb the constant height adjustment of air ride trailers. Standard sizes are 4-1/4" to 12-3/4" thick in standard design and sizes. Gussets for lower loading docks and special sizes are also available. Steel Faced Bumpers last as much as 5 times longer than standard laminated bumpers, offering the lowest cost of ownership.

## Save-T MOLDED RUBBER BUMPERS

Molded Dock Bumpers are manufactured using reinforced rubber in a variety of shapes and sizes. These solid, durable, one piece bumpers are smooth, attractive, and will not harden or be affected by weather. The most popular models are the "T", "L", and "R" styles. We carry a full line of standard sizes.

## Save-T EXTRUDED BUMPERS

When wall protection from forklifts and other loading dock equipment is needed, Extruded Bumpers are the ideal solution. This type of bumper is also great for indoor parking areas and marinas. They are available in any length up to ten feet and can have holes pre-drilled at the factory. Common styles include the "D" and "E" shapes.

## Save-T WHEEL CHOCKS

TMI, LLC carries an entire line of wheel chocks, including laminated rubber, molded rubber, urethane, and aluminum. Wheel chocks can be purchased with standard chain lengths of 10', 12', and 15'. Safety security signs are also available.

OSHA Regulation 1910.78(M) - Wheel chocks must be used in addition to a trailer stand while trailer is docked.



## Save-T OVERHEAD DOOR TRACK GUARDS

Made of heavy-duty 7 gauge steel, they absorb impact from forklifts and other vehicles. Track guards bolt to the floor and the wall for firm attachment.

- Wraps around door track without interfering with door operation
- 45 degree angle flange adds strength and protects from side impact
- 1/4" thick floor plate drilled for three 1/2" anchors
- 3/16" thick wall flange drilled for three 1/2" anchors
- 7-1/4" projection
- Stocked in 36" (DTG 36), and 48" (DTG 48) sections

# SAVE-T® Dock Lights

## Save-T LED DOCK LIGHT HEADS

This new LED light outlasts up to 25 incandescent lights, and eliminates high maintenance costs associated with repair and replacement of traditional dock lights. LED Dock Lights are made using a PAR 38 LED bulb with a choice of single or double strut arms. This light also comes in an Ultra Heavy-Duty model. Optional fans and secure wire guards are available.  
Head Diameter: 8".



## Save-T POLYMER DOCKLITE® HEADS

The Polymer Docklite Head has a cool-to-the-touch head that deflects and dissipates heat and prevents denting.  
Head Diameter: 8"; Compatible with standard Phoenix arms.



## Save-T FLUORESCENT DOCKLITE® HEADS - Energy Savings

The self-ballasted compact fluorescent light head allows for up to 75% energy savings each year. The cool-to-the-touch light head is also impact resistant.  
Energy savings rebates may be available!  
Head Diameter: 8"; Compatible with standard Phoenix arms.



## Phoenix Modular Dock Light Heads

Product No.	Description
DL-INC-LH	Incandescent Light Head
DL-50HPS-LH	50 Watt High Pressure Sodium (Available up to 100 Watts)
DL-50MH-LH	50 Watt Metal Halide (Available up to 100 Watts)
DL-500QH-LH	500 Watt Quartz Halogen

## Phoenix Modular Dock Light Arms

Product No.	Description	Product No.	Description
DL-24-ARM	Single Strut 24" Arm	DL-42-ARM-DS	Double Strut 42" Arm
DL-42-ARM	Single Strut 42" Arm	DL-60-ARM-DS	Double Strut 60" Arm
DL-60-ARM	Single Strut 60" Arm	DL-42-ARM-SP	Spring Arm 42"

*Fans, Explosion Proof, Weather Tight, and Impact Resistant Lights Available – Call 800-888-9750*

## Save-T POLYCARBONATE DOCK LIGHTS

The Tri-Lite DL40-P has a 40" Double Strut Arm. This cool-to-the-touch head is very durable and very affordable. Single strut arm and metal head available.



## Save-T STOP & GO COMMUNICATION LIGHTS

Tri-Lite Stop & Go Lights alert personnel that a truck has been safely docked. These are available in Incandescent, LED, and Low Voltage light types.



# SAVE-T® Trailer Stands



EZ-RISER



AUTO-RISER



RATCHET-RISER

TMI's *Save-T* Trailer Stands are essential for loading dock safety. All three Trailer Stands provide secondary support should a trailer's landing gear collapse. The Ratchet-Riser will also help reposition a trailer after an accident with 40,000 lbs. of lifting capacity. Each stand is ergonomically designed and offers best-in-class safety and simplicity.

## **Save-T EZ-RISER TRAILER STANDS**

- Exclusive gas-activated leveling system with security pin
- 100,000 lbs static load capacity
- Height adjustable from 36" to 48"
- 5" x 30" support pad
- Extra large 17" x 18.5" base
- Large 16" pneumatic rubber tires
- Only one required per trailer
- Weight - 200 lbs.
- One year limited warranty

## **Save-T AUTO-RISER TRAILER STANDS**

- Exclusive gas-activated leveling system with security pin
- 100,000 lbs static load capacity
- Height adjustable from 42" to 52.5"
- 5" x 30" support pad
- Extra large 17" x 18.5" base
- 10" semi-pneumatic rubber tires
- Only one required per trailer
- Weight - 150 lbs.
- One year limited warranty

## **Save-T RATCHET-RISER TRAILER STANDS**

- 38" ratcheting/positioning handle
- 100,000 lbs static load capacity
- 40,000 lbs lifting capacity
- Height adjustable from 39.5" to 51"
- Large circular base
- 10" semi-pneumatic rubber tires
- Two recommended per trailer
- Weight - 105 lbs.
- One year limited warranty

OSHA regulations suggest that trailer stands may prevent the upending of trailers during loading or unloading when the trailer is not attached to a tractor or converter dolly.

# SAVE-T® Parking Blocks, Speed Bumps & Post Guards

## Save-T PARKING BLOCKS and SPEED BUMPS

Save-T Parking Blocks are made of rugged, high density polyethylene. They are flexible, light weight, affordable, and will never need to be painted. They feature a non-skid surface, weather and chemical resistant, and are load tested to 20,000 lbs. per pneumatic tire. Mounting hardware is included.

Product No.	Description	Wt.
T1790Y	HDPE Parking Block - 4"H x 8"W x 72"L Yellow, Gray, Blue, Black	15 lbs.
T1792	HDPE Speed Bump - Cable Guard - Yellow - 6' Long	15 lbs.
T1793	HDPE Speed Bump - Cable Guard - Yellow - 9' Long	25 lbs.
T1790KIT	HDPE Anchor Kit for Parking Stops (3 Anchors)	3 lbs.
T1792KIT	HDPE Anchor Kit for Speed Bumps (6 Anchors)	8 lbs.

## Save-T SOLID RECYCLED PLASTIC PARKING BLOCK and SPEED BUMPS

These solid parking blocks are virtually indestructible and maintenance free. They carry a lifetime warranty against breakage, chipping or cracking.

Product No.	Description	Wt.
SPB-4-6-72	Solid Standard Parking Block - 4"H x 6"W x 72"L	30 lbs.
DLP-4.5-6-72	Solid Deluxe Parking Block - 4.5"H x 6"W x 72"L	36 lbs.
TPB-7-10-96	Solid Truck Parking Block - 7"H x 10"W x 96"L	80 lbs.
SSB-2-10-72	Solid Standard Speed Bump - 2"H x 10"W x 72"L	25 lbs.



## Save-T BOLLARD POSTS and MACHINE GUARDS

Save-T Bollard Posts prevent damage to doorways, racking, or corners. Post caps can be removed for filling. TMI's Save-T Machine Guards provide protection for equipment and machinery and can create barriers between traffic areas.

Product No.	Description	Product No.	Description
T1742	4" Dia. Bollard Post - 24"H	T1759	5" Sq. Post Cap
T1743	4" Dia. Bollard Post - 36"H	T1763	6" Dia. Bollard Post - 36"H
T1744	4" Dia. Bollard Post - 42"H	T1764	6" Dia. Bollard Post - 42"H
T1749	4" Dia. Post Cap	T1769	6" Dia. Post Cap
T1755	5" Dia. Bollard Post - 24"H	T1746	4" Machine Guard-24"H x 36"W
T1756	5" Dia. Bollard Post - 36"H	T1770	4" Machine Guard-24"H x 48"W
T1757	5" Dia. Bollard Post - 42"H	T1774	4" Machine Guard-36"H x 36"W
T1758	5" Dia. Post Cap	T1775	4" Machine Guard-36"H x 48"W
T1752	5" Sq. Bollard Post - 24"H	T1771	4" Machine Guard-42"H x 36"W
T1753	5" Sq. Bollard Post - 36"H	T1747	4" Machine Guard-42"H x 48"W
T1754	5" Sq. Bollard Post - 42"H		



### BOLLARDS

- 1/2" thick steel on a 3/8" steel plate
- Powder-coated with lead-free paint

### MACHINE GUARDS

- Made of heavy-duty steel

## Save-T BOLLARD POST SLEEVES

Save-T Post Sleeves make old bollards look new. These sleeves eliminate costly repairs due to chipping, rusting, cracking, or discoloration. Sleeves are 56" long and can be trimmed to fit existing posts. Yellow is standard, additional colors available.

Product No.	Description	Wt.
T1732	Sleeve for 4" Round Bumper Post - Yellow Ribbed	4 lbs.
T1732BASE	Base for 4" Round Bumper Post Sleeve	2 lbs.
T1730	Sleeve for 6" Round Bumper Post - Yellow Ribbed	6 lbs.
T1730BASE	Base for 4" Round Bumper Post Sleeve	2 lbs.
T1735	Sleeve for 4" Round Bumper Post - Yellow Smooth	4 lbs.
T1736	Sleeve for 6" Round Bumper Post - Yellow Smooth	6 lbs.
T1737	Sleeve for 8" Round Bumper Post - Yellow Smooth	8 lbs.



- Ribbed and smooth outside surface
- Fits 4", 6", and 8" posts

# SAVE-T® Protection Devices & Dock Plates



T1706

## Save-T COLUMN PROTECTORS

Save-T Column Protectors are the perfect solution for protecting warehouse and factory columns, posts, and beams. These high density polyethylene protectors absorb impact and prevent damage and repair charges to columns, forklifts, equipment, and personnel. They can be installed in just seconds. Two halves attach together with easy-to-use hook & loop straps and require no tools. Each column protector is maintenance free, light weight, and UV protected. Other high-visibility colors are available.

Product No.	Description	Wt.
T1704	Narrow Protector for 4"- 6" Column	16 lbs.
T1706	Protector for 6" Column	40 lbs.
T1708	Protector for 8" Column	40 lbs.
T1710	Protector for 10" Column	40 lbs.
T1712	Protector for 12" Column	40 lbs.



T1726

## Save-T WALL PROTECTORS

Save-T Wall Protectors are a simple solution for preventing damage to walls in areas with forklift, hand truck, or drum traffic. Each high density polyethylene protector is impact resistant, light weight, and resistant to cracking and chipping. (Anchors not provided).

Product No.	Description	Wt.
T1726	6" Wall Protector (Set of 2)	8 lbs.
T1728	10" Wall Protector (Set of 2)	14 lbs.



T1720

## Save-T CORNER PROTECTORS

Save-T Corner Protectors deflect impact and protect plant areas prone to damage by forklift, hand truck, or personnel traffic. They can be mounted to protect racks or overhead door frames. Each lightweight corner protector is UV stabilized.

Product No.	Description	Wt.
T1720	21" Corner Protector (Set of 2)	10 lbs.
T1725	42" Corner Protector (Set of 2)	20 lbs.

## Save-T PORTABLE POLY DOCK PLATE (Not Shown)

The Save-T Portable Poly Dock Plate is designed for use with two and four wheeled dollies, hand trucks, and carts. Its light, durable ergonomic design and raised non-slip surface makes it easy to handle and use. Maximum load capacity is 750 lbs.

Product No.	Description	Wt.
T1795	Portable Poly Dock Plate - 35" W x 36"L x 5"H	30 lbs.
T1795CR	Shipping Container Ramp - 35" W x 36"L x 6"H	25 lbs.

## Save-T PORTABLE POLY CURB RAMP

TMI's Save-T Curb Ramp is primarily used with hand trucks or carts. Its lightweight, durable design makes this the perfect product for delivery trucks. Maximum load capacity is 1000 lbs.

Product No.	Description	Wt.
T1794	Poly Curb Ramp - 27" W x 27"L x 4"H	9 lbs.



T1794

# SAVE-T® Guard Security Gates and Cabinets

## Save-T GUARD SECURITY GATES

These gates increase protection at loading docks, warehouses, shipping & receiving doors, personnel entrances and retail stores. They protect from theft, pilfering and trespassing while allowing fresh air to circulate in secured areas, creating a comfortable work environment. Gates can be mounted in-the-jamb or on the face of the outside wall. Extension brackets are available for mounting around an existing garage door.

### Heavy-Duty Construction

- 14 gauge steel with gray polyurethane finish
- 1 1/2" x 1 1/2" x 1/8" steel uprights with steel casters and drop pins
- Single and double gate models available

Product No.	Gate Style	Max. Width	Bracket Height	Ship Wt.
SG-66-60*	Single	66"	60"	50 lbs.
SG-66-78	Single	66"	78"	65 lbs.
SG-66-96	Single	66"	96"	75 lbs.
SG-78-78	Single	78"	78"	65 lbs.
SG-78-96	Single	78"	96"	80 lbs.
SG-90-78	Single	90"	78"	70 lbs.
SG-90-96	Single	90"	96"	85 lbs.
DG-96-78*	Double	96"	78"	85 lbs.
DG-96-96	Double	96"	96"	100 lbs.
DG-120-78*	Double	120"	78"	100 lbs.
DG-120-96*	Double	120"	96"	120 lbs.
DG-144-78*	Double	144"	78"	115 lbs.
DG-144-96	Double	144"	96"	140 lbs.
DG-168-78*	Double	168"	78"	130 lbs.
DG-168-96*	Double	168"	96"	160 lbs.
DG-192-78*	Double	192"	78"	135 lbs.
DG-192-96*	Double	192"	96"	170 lbs.

\* Quick-Ship item - Ships within 1-2 days



## Save-T STORAGE CABINETS

Save-T Storage Cabinets are the perfect solution for storing flammables, acids, pesticides, chemicals, and other liquids. Safety Cabinets are made of 18 gauge steel and are designed to protect contained flammable liquids for a period of 10 minutes, giving employees time to exit a building in case of a fire. Each cabinet has adjustable shelves to accommodate various container sizes. Save-T Storage Cabinets meet NFPA Code 30 and OSHA specifications. Additional sizes are available.

Product No.	Description	Wt.
T1930	1 Door, Sliding Self Closing Storage Cabinet - 30 Gallons	253 lbs.
T1947	2 Door, Manual Close Storage Cabinet - 45 Gallons	342 lbs.
T3010	2 Door, Self Closing Storage Cabinet - 30 Gallons	257 lbs.
T4510	2 Door, Self Closing Storage Cabinet - 45 Gallons	353 lbs.
T1915	Manual Shelf for 15, 30, 45 Gallon Cabinets	12 lbs.



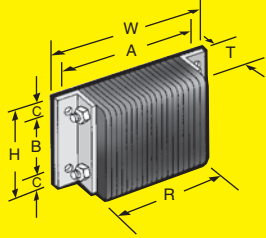
All steel cabinets meet NFPA Code 30 and OSHA specifications.  
Self-closing models meet Uniform Fire Code and NFPA Code One requirements.

# SAVE-T® Laminated Rubber Bumpers

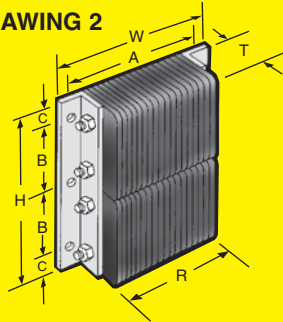
H – Overall Height  
 W – Overall Width  
 T – Overall Thickness  
 R – Width of Rubber Surface

A – Horizontal Anchor Holes - Center to Center (7/8" Holes)  
 B – Vertical Anchor Holes - Center to Center  
 C – Center of Anchor Hole to Top/Bottom Edge

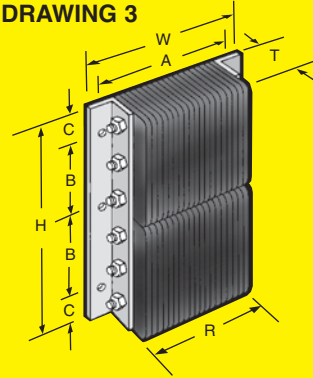
DRAWING 1



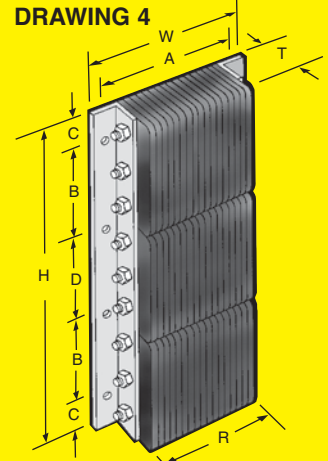
DRAWING 2



DRAWING 3



DRAWING 4



• Structural Steel Angles and Plates - 3/8" Thick

• Add-On for Galvanized Angles - Consult Factory

MODEL NO.	Drawing No.	H	W	T	R	A	B	C	D	Wt.(lbs.)
B410-12	1	10"	14"	4 1/2"	8"	12"	5"	2 1/2"	-	27
B410-14	1	10"	16"	4 1/2"	10"	14"	5"	2 1/2"	-	31
B410-24	1	10"	26"	4 1/2"	20"	24"	5"	2 1/2"	-	48
B410-36	1	10"	38"	4 1/2"	32"	36"	5"	2 1/2"	-	72
B412-12	1	12"	14"	4 1/2"	8"	12"	7"	2 1/2"	-	32
B412-14	1	12"	16"	4 1/2"	10"	14"	7"	2 1/2"	-	36
B412-24	1	12"	26"	4 1/2"	20"	24"	7"	2 1/2"	-	58
B412-36	1	12"	38"	4 1/2"	32"	36"	7"	2 1/2"	-	9
VB420-11	2	20"	13"	4 1/2"	7"	11"	7 1/2"	2 1/2"	-	50
VB424-11	3	24"	13"	4 1/2"	7"	11"	9 1/2"	2 1/2"	-	59
B610-12	1	10"	14"	6"	8"	12"	5"	2 1/2"	-	37
B610-14	1	10"	16"	6"	10"	14"	5"	2 1/2"	-	4
B610-24	1	10"	26"	6"	20"	24"	5"	2 1/2"	-	74
B610-36	1	10"	38"	6"	32"	36"	5"	2 1/2"	-	111
B612-12	1	12"	14"	6"	8"	12"	7"	2 1/2"	-	45
B612-14	1	12"	16"	6"	10"	14"	7"	2 1/2"	-	52
B612-24	1	12"	26"	6"	20"	24"	7"	2 1/2"	-	84
B612-36	1	12"	38"	6"	32"	36"	7"	2 1/2"	-	133
VB620-11	2	20"	13"	6"	7"	11"	7 1/2"	2 1/2"	-	71
VB624-11	3	24"	13"	6"	7"	11"	9 1/2"	2 1/2"	-	8
VB636-11	4	36"	13"	6"	7"	11"	9 1/2"	2 1/2"	12"	122

**Extra-Thick & Extra Length SAVE-T® Laminated Rubber Bumpers are available.**

## Other SAVE-T® Products

Strip Doors



Enclosures



Air Curtains



Bug Screen



Impact Doors



5350 Campbells Run Road • Pittsburgh, PA 15205-9738

**800-888-9750**

Tel: 412-787-9750 Fax: 412-787-3665

Web: [www.tmi-pvc.com](http://www.tmi-pvc.com)

E-Mail: [customer-service@tmi-pvc.com](mailto:customer-service@tmi-pvc.com)



Copyright © 2010  
 Catalog Number LDA-08-10