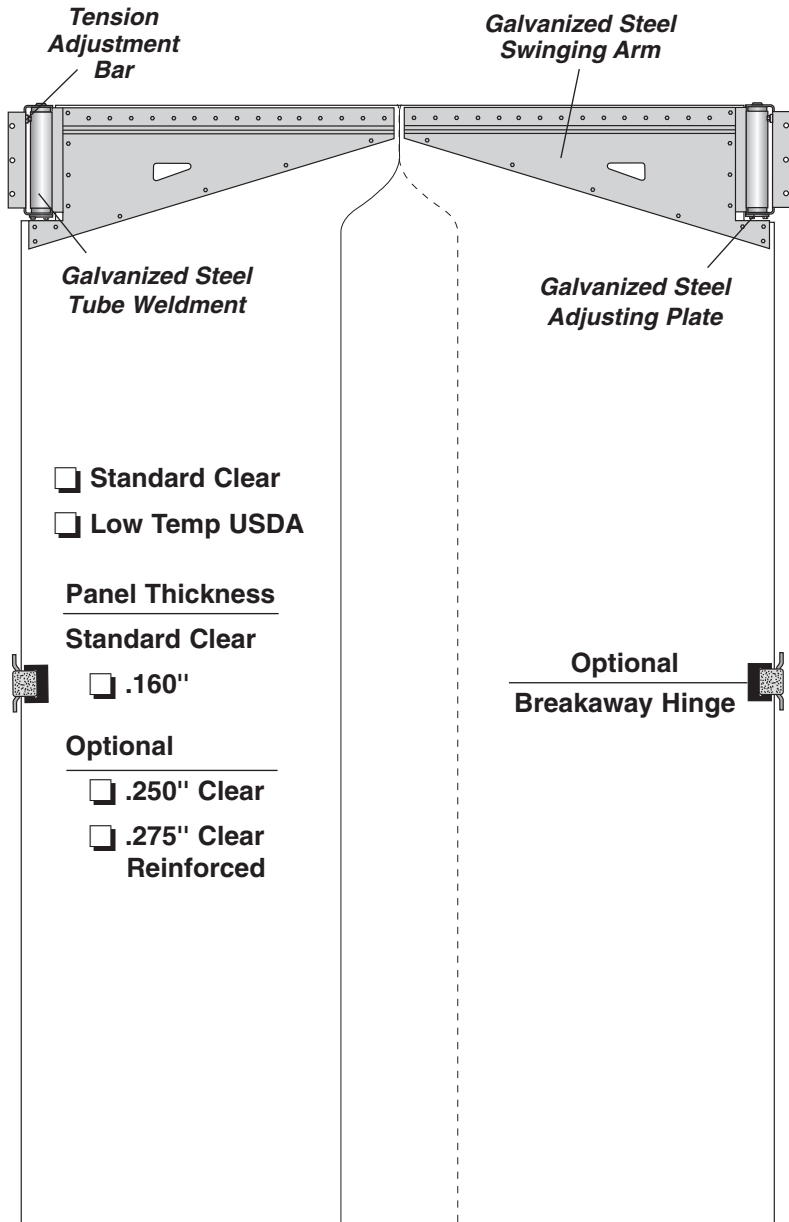
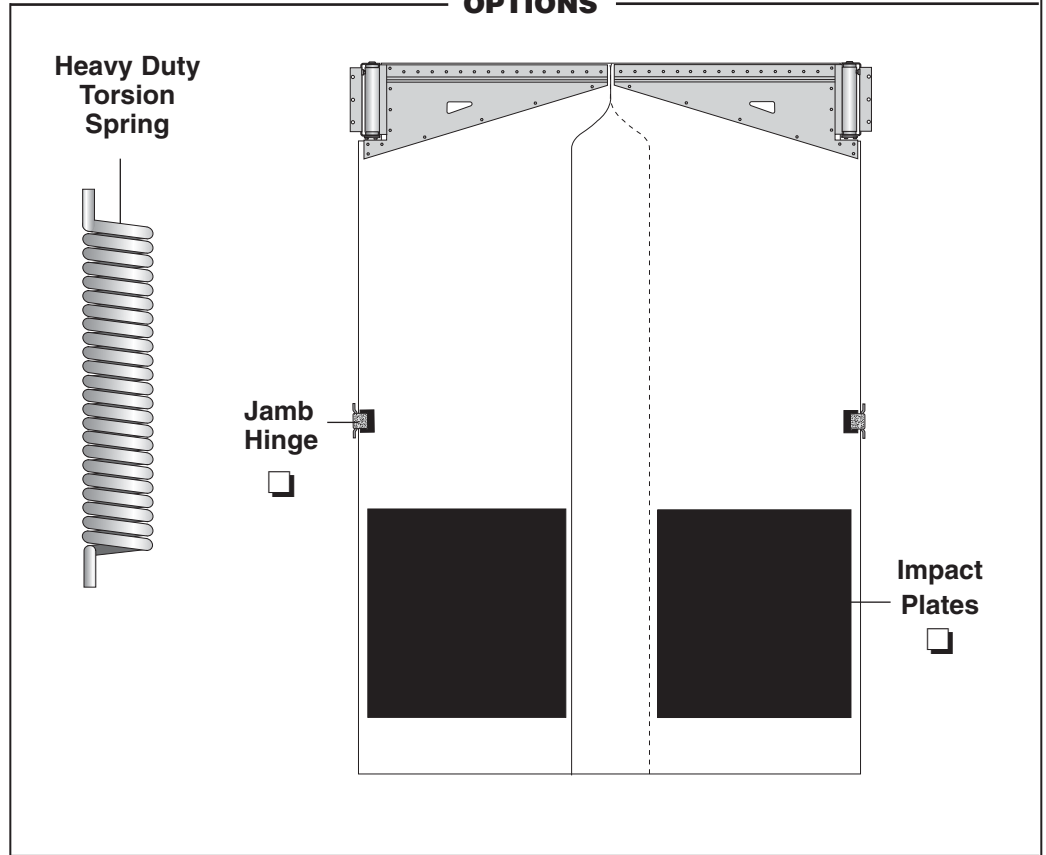


**FOR DOORWAY OPENINGS - 60" to 120" WIDE**



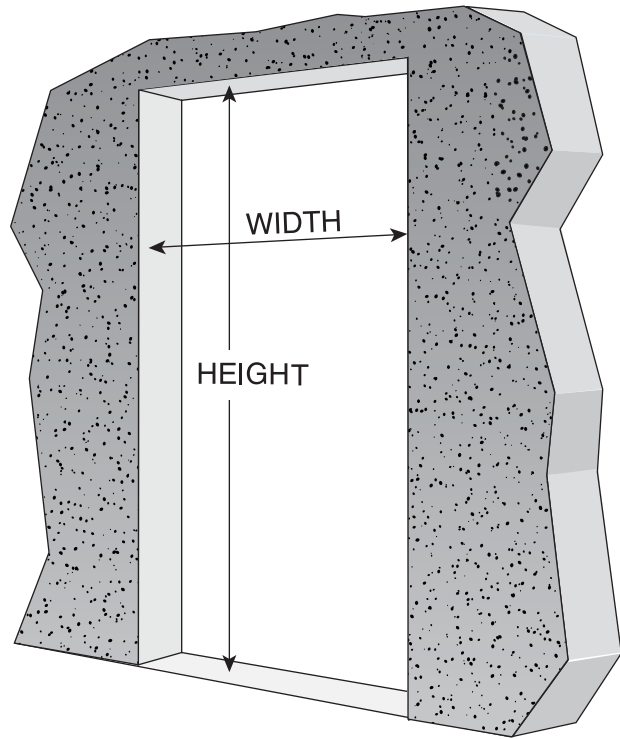
**OPTIONS**



5350 Campbells Run Road • Pittsburgh, PA 15205-9738  
 800-888-9750 • 412-787-9750

**SAVE-T® MEGA-PRO Swinging Doors**

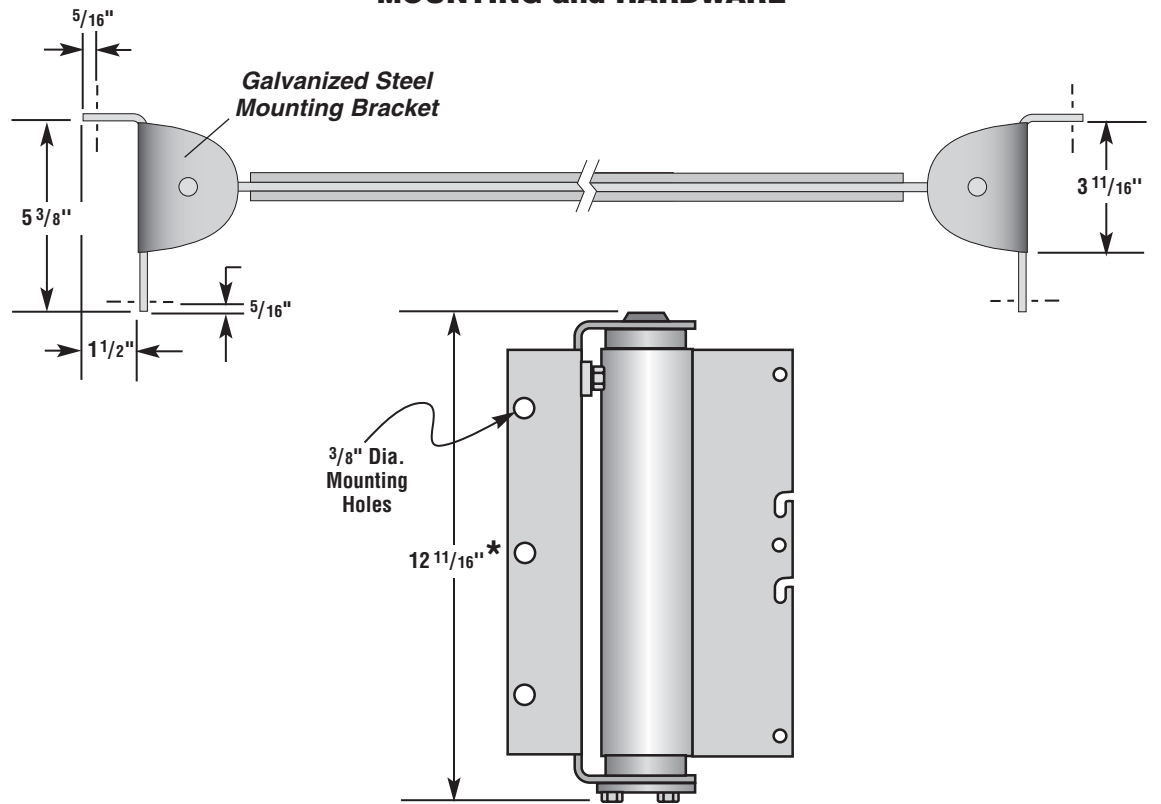
### MEASURING YOUR DOOR



Door WIDTH in inches \_\_\_\_\_ "

Door HEIGHT in inches \_\_\_\_\_ "

### MOUNTING and HARDWARE



5350 Campbells Run Road • Pittsburgh, PA 15205-9738  
800-888-9750 • 412-787-9750

**SAVE-T® MEGA-PRO Swinging Doors**