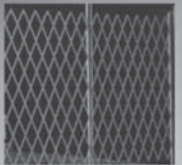


QUALITY SAVE-T PRODUCTS



Mega-Pro Swinging Doors

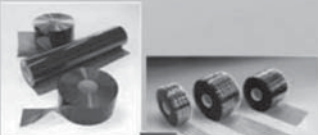


Save-T Guard Security Gates



Service-Pro Traffic Doors

Polar-Pro Swinging Doors



Bulk PVC



RIP-A-STRIP™
Ready-to-Hang
Replacement Strips
on a Roll



Save-T Roll-Up Bug Screen



Save-T Vinyl Roll-Up Screen



Strip Door Mounted on
Overhead Door Bracket



Strip Door Mounted on
Overhead Door Bracket



Motorized Accordion
Strip Doors



Save-T Flex-Guard
Chain Link Doors



Lights &
Fans



Track Guards

Trailer Stairs,
Dock Bumpers,
Wheel Chocks



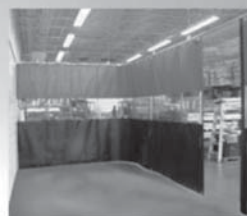
Bollard Posts
Machine Guards

Dock Accessories

A Door for
Every Application
and
Every Budget



800-888-9750



Industrial Curtains and Enclosures

5350 Campbells Run Road • Pittsburgh, PA 15205-9738 • 412.787.9750
Fax: 412.787.3665 • Web Site: www.tmi-pvc.com • E-Mail: customer-service@tmi-pvc.com



SAVE-T®

MOTORIZED ACCORDION STRIP DOOR

INSTALLATION INSTRUCTIONS



IMPORTANT

Carefully examine the carton(s) for damage. If the carton is damaged, immediately notify the shipping company.

**PLEASE READ ALL INSTRUCTIONS BEFORE
PROCEEDING WITH INSTALLATION.**

Overhead Bracket Mount

– Projection –

12" 18" 24"

DOOR WIDTH

DOOR HEIGHT

Your Accordion Strip Door has been custom built to your specifications. Those specifications should be clearly marked on the cover of these installation instructions.

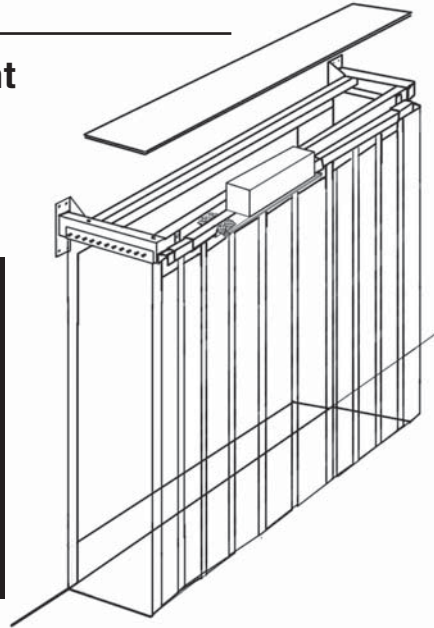
We highly recommend that the unit be mounted on the interior side of the doorway opening, basically to keep the mechanism out of the weather.

Overhead Door Mount

The Motorized Accordion Strip Door uses Overhead Door Mounting Hardware.

WARNING:

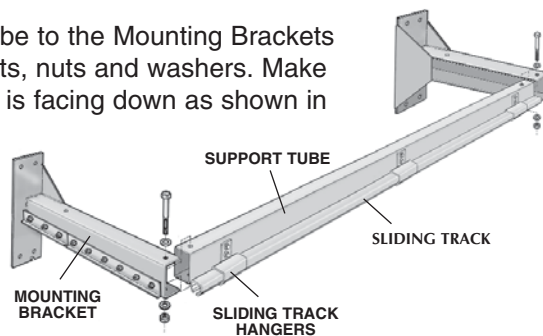
Do not remove protective wrap from linkage assembly until it is installed into the sliding track. The assembly opens and closes in a scissorlike fashion. Serious injury may result from failure to follow directions.



OVERHEAD DOOR MOUNTING

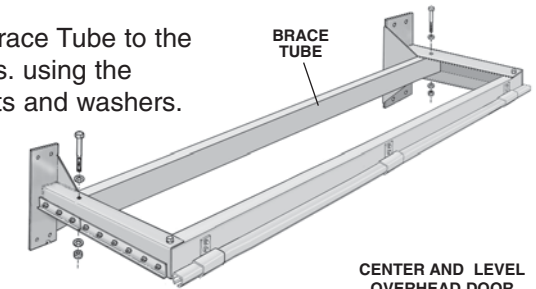
The Sliding Track Hardware is attached to the Support Tube at the factory.

- 1 Attach the Support Tube to the Mounting Brackets using the supplied bolts, nuts and washers. Make sure the Sliding Track is facing down as shown in this illustration.

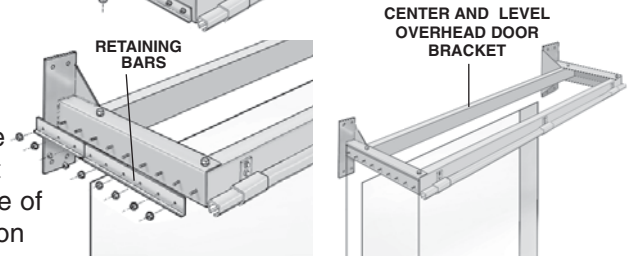


2

- 2 Attach the back Brace Tube to the Mounting Brackets using the supplied bolts, nuts and washers.



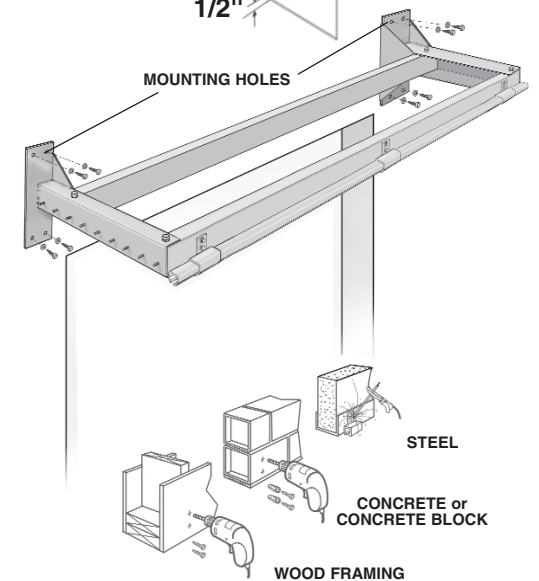
- 3 Remove the side Retaining Bars on just one side. Put this hardware in a safe place. It will be needed in one of the final installation steps.



- 4 Temporarily attach a PVC Side Panel onto the Mounting Bracket mounting studs. With help, position the overhead door bracket above the doorway header, so the side panel is 1/2" above the floor. Make sure the bracket is centered on the doorway opening and is level.



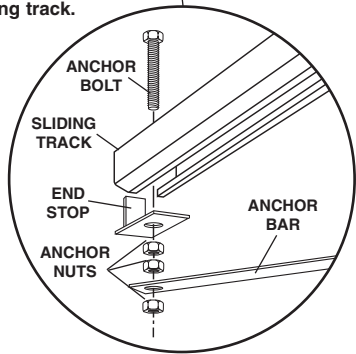
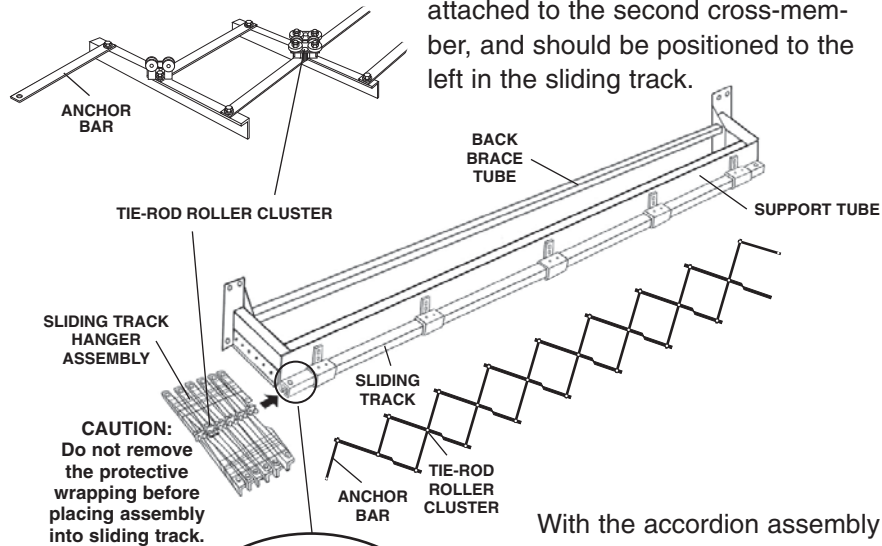
- 5 Mark the 8 mounting holes and remove the assembly. Also remove the PVC side panel. Drill a 1/2" hole at each marking unless the assembly is being welded to the header. Place anchors if needed and tightly secure the assembly with lag screws.



3

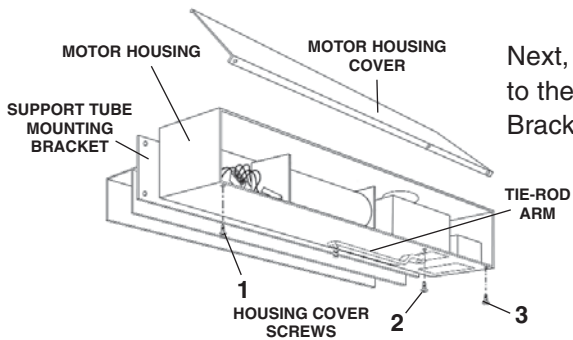
MOUNTING MOTOR HOUSING AND SLIDING TRACK HANGER ASSEMBLY

NOTE: The Tie-Rod Roller Cluster is attached to the second cross-member, and should be positioned to the left in the sliding track.



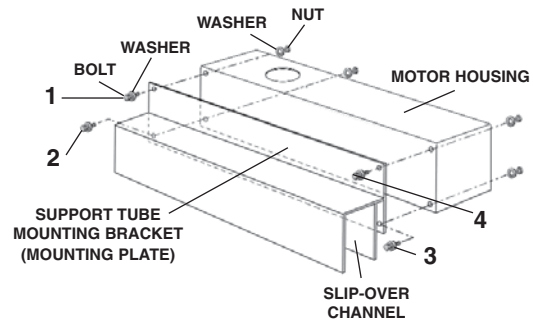
With the accordion assembly compressed, slide each roller into the sliding track.

Attach the anchor bar to the left end of the sliding track using the supplied anchor bolt, end stop and 3 anchor nuts. See the illustration to the left.

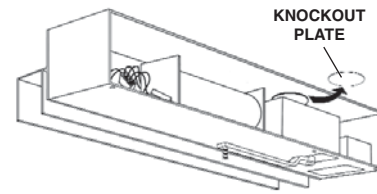


Next, attach the Motor Housing to the Support Tube Mounting Bracket.

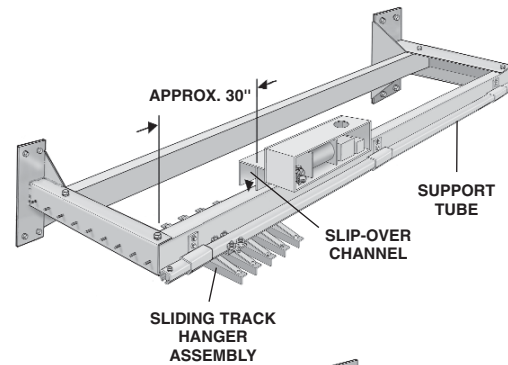
Remove the 3 Motor Housing Cover screws and remove the cover.



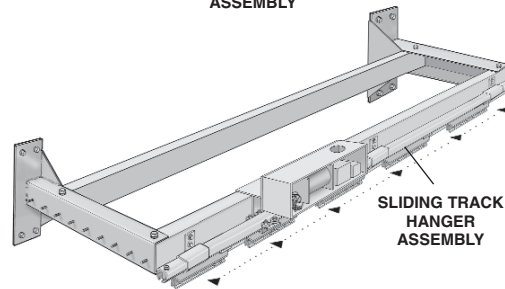
Attach the Motor Housing to the Support Tube Mounting Bracket (Mounting Plate) using the 4 bolts, 4 nuts and 8 washers supplied. Be sure the Slip-Over Channel is facing down.



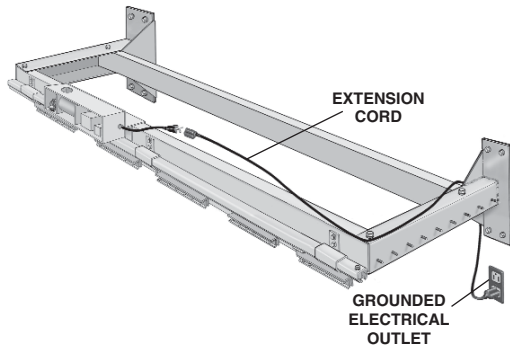
Remove the knockout plate on the top of the unit



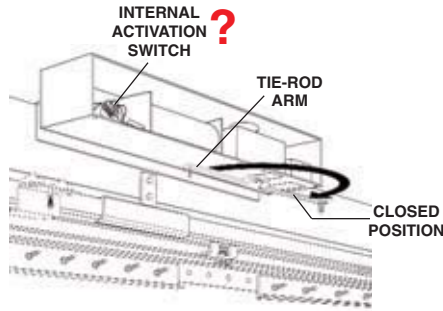
Place the motor unit over the support tube approximately 30" from the left edge with the unit on the front side of the tube.



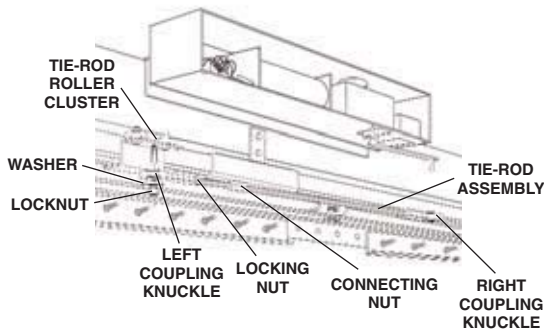
Extend the sliding track hanger assembly to the fully closed position. It should span the entire length of the sliding track.



Connect the power cord to an electrical outlet. The electrical source should be a 120 volt, 60 Hz., AC only, 15 amp, fused circuit. Since the power cord is just 36" long, an extension cord will have to be used. A 14/3 cord is recommended but a heavier duty wire can be used.

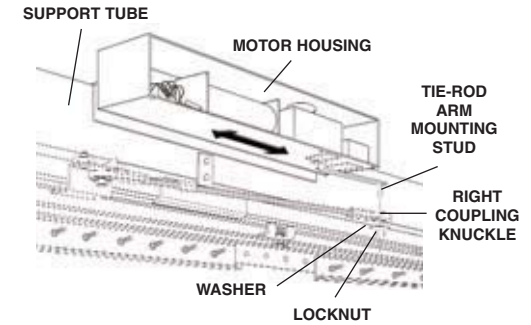


Using the internal activation switch ??, move the tie-rod arm to the closed position.

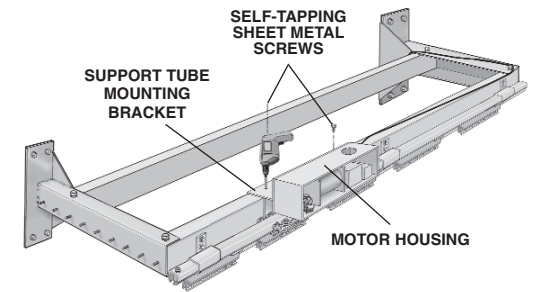


Loosen the locking nut that butts to the left coupling knuckle. Back it off a few turns. Attach the left end of the tie-rod assembly to the tie-rod roller cluster using a washer and locknut.

Move the motor housing that is attached to the support tube mounting bracket, so the tie-rod arm mounting stud aligns with the right coupling knuckle. Attached using a washer and locknut.

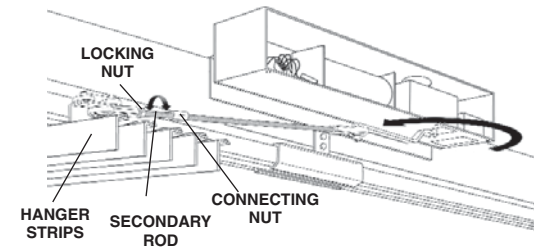


With everything attached, drill two (2) holes through the top plate of the motor housing mounting bracket and the support tube. Using self-tapping sheet metal screws, secure the motor housing.



Using the internal activation switch, move the tie-rod arm to the opened position. If the sliding track assembly does not fully open, the tie-rod will need to be adjusted.

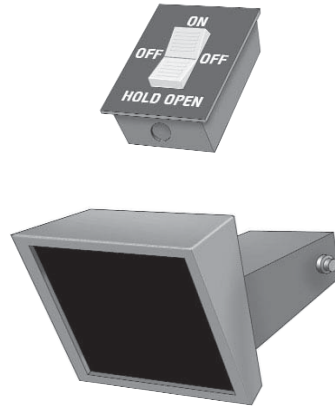
Turn the secondary rod to extend or shorten the tie-rod. Finally, tighten the locking nut.



WIRING

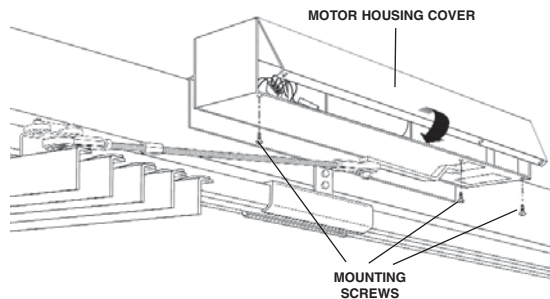
Opening and closing the accordion strip door can be activated using rocker or touch controlled switches, buttons or motion sensors. Since each installation has its own set of requirements, the type and location of these devices are different. Wiring diagrams for many of these systems, as well as specifications sheets, have been included with your shipment. Also the installer should refer to the manufacturer's wiring specifications.

Adjusting the mechanism can be very complex, i.e. potentiometers, dip switches, and might require a certified electrician.



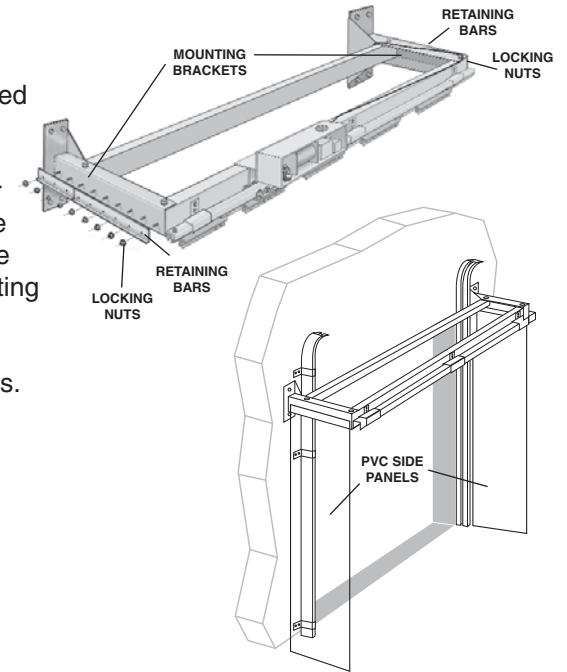
AFTER...

...all the wiring has been done and all the operation adjustments have been completed, replace the Motor Housing Cover and secure with the 3 Mounting Screws.



OVERHEAD DOOR BRACKET SIDE STRIPS

In Step 3 on page 3, the Retaining Bars were removed from just one Mounting Bracket. At this point the Retaining Bars on the other Mounting Bracket should be removed. Then place a Side Panel on each of the Mounting Brackets. Replace the Retaining Bars and secure them using the Locking Nuts.



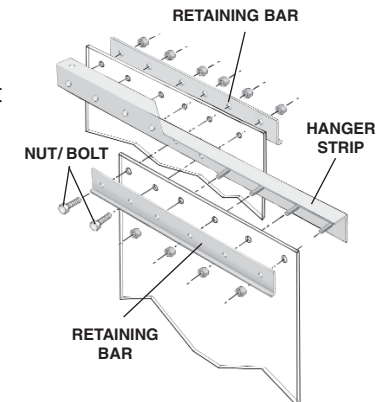
PVC STRIP PLACEMENT

After the assembled unit has been mounted using one of the 3 mounting methods, the PVC strips must be attached to the Accordion Assembly.

First, remove each Retaining Bar from the each Hanger Strip by unscrewing the nuts from the studs. **NOTE:** There are 2 nut/bolt combinations in the center of each strip.

Then place the PVC Strips onto the studs. Replace the Retaining Strips and fasten with the nuts.

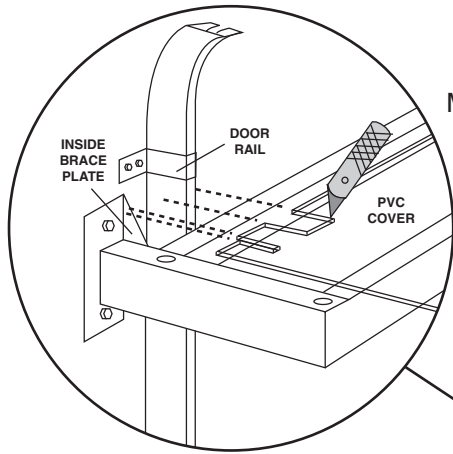
With all the PVC Strips in place, your Save-T Accordion Strip Door is complete.



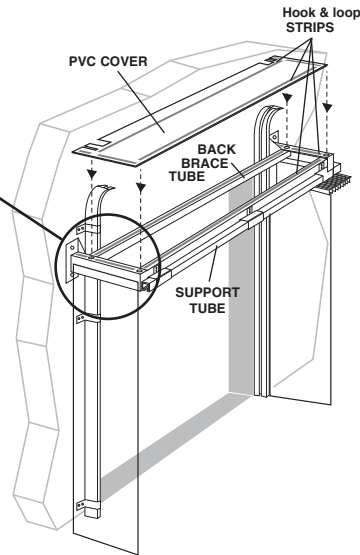
MOUNTING OVERHEAD DOOR COVER

Once the Overhead Door Bracket, Accordion Assembly and Side Strips are in place and secured, the PVC cover should be placed over the top of the entire unit to create a substantial ambient air barrier.

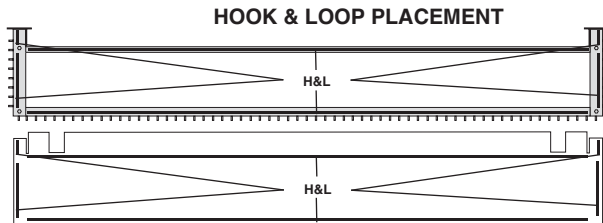
NOTE: The method of applying the cover, described here, is quite general since each overhead door and door rail configuration is different for each manufacturer.



Measure and cut both sides of the PVC cover accordingly, to accommodate the overhead door rail and inside brace plate on the Bracket. Use a utility knife.



A hook & loop strip should already be attached to the top of the Support Tube. However, the supplied pressure sensitive hook & loop will have to be attached to the top of each Bracket and the Back Brace Tube, as well as the corresponding areas on the cover itself.



BRACKETS and
SUPPORT TUBES

PVC COVERS

NOTES