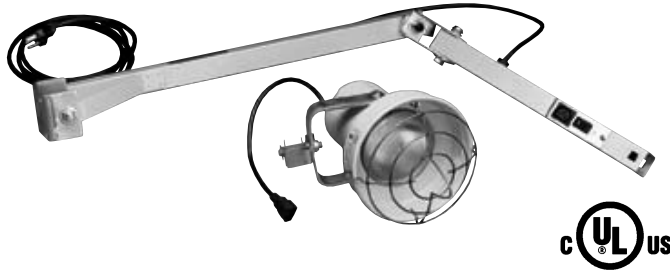


PHOENIX[®] Modular *docklite*[®]



DESCRIPTION: The *Modular docklite*[®] is made of modular components for greater flexibility and lower costs. Illuminates truck, trailer and railcar environments.

3 YEAR WARRANTY

A three-year limited warranty against defects in material and workmanship is standard on all docklite finished goods. See Standard Terms and Conditions for details.

MODULAR HEAD SPECIFICATIONS

- **HOUSING:** Steel housing with thermoset powder-coated finish resists wear. Safety yellow for maximum visibility.
- **SOCKET:** Porcelain socket with nickel-plated brass screw shell provides excellent heat resistance. Spring-loaded socket assembly on incandescent models draws lamp into housing for protection and support. Up-set socket threads keep lamp from backing out. Reinforced rivets provide for extra durability.
- **HARDWARE:** Zinc-plated steel hardware resists corrosion.
- **WIRE GUARD:** Zinc-plated steel for lamp protection.
- **PRONG:** Recessed 3-prong IEC type plug fits directly into arm receptacle.
- **HEAD:** Touch control for vertical and horizontal positioning. Twist guard prevents cord from tangling and fraying.

MODULAR ARM SPECIFICATIONS

- **SWITCH:** On-Off rocker switch and IEC type receptacle.
- **MOUNTING BRACKET:** 3/16" thick and 3"x5" zinc-plated steel mounting bracket.
- **CORDS:** Wear-resistant 3-conductor AC cord from arm, fits directly into standard outlet. Male plug on light head cord plugs into female receptacle in arm.
- **ARM:** 1 1/2" square steel tube arms with wrist-action zinc-plated steel joint on 42", 60", and 90" single-strut arms. Washers at all joints and bushings at bracket joints for smooth operation, greater stability, and longer wear. Thermoset powder-coated finish. Safety yellow for maximum visibility.

ORDERING INFORMATION

Modular Light Heads:

SERIES WATT/TYPE PART - OPTIONS
(120V Standard*)

DL	INC	LH	
DL	INC 50HPS 70HPS 100HPS 50MH 70MH 100MH 500QH	LH	INTL ²

LAMP INFORMATION

MH = Metal Halide (ED-17)
HPS = High Pressure Sodium (ED-17)
INC = Incandescent (PAR38/BR40)
QH = Quartz Halogen (300/500) T3

Modular Arms:

SERIES LENGTH PART - OPTIONS
(120V*, Single-Strut is standard)

DL	42	ARM	DS
DL	24* 42* 60* 90*	ARM	DS ¹ INTL ²

OPTIONS

- ¹ DS = Double-Strut
Single-Strut arm is standard. Available in 42" and 60" lengths only. Required when using DL-18-FAN.
- ² INTL = International
for incandescent or 50HPS heads only. No UL or cUL certification. No plug on cord. Incandescent head operates on maximum 250V, 50/60 Hz. HPS head operates on 220/240V, 50 Hz. International arms have no UL or cUL certification and do not have a plug on cord. Arms operate on maximum 250 volt, 50/60 Hz.

*277V Units are available in a non-modular configuration. Please contact factory, or see specification sheets for the DLX Series, DWT Series, and the IR Series.

LIGHT HEADS: Includes a recessed 3-prong IEC type plug which will plug directly into the receptacle of any single or double-strut modular arm.



Incandescent/Halogen (INC)

- Lowest initial cost
- Instant on
- Excellent color rendering
- Up to 4,200 hours lamp life
- Output: Up to 3,700 lumens

Available up to 300 watts.
Lamp is not included. Uses PAR or BR lamps.



High Pressure Sodium (HPS)

- Lowest operating cost
- Requires brief start-up
- Acceptable color rendering for most dock applications
- 24,000+ hours average lamp life
- Output: Up to 9,500 lumens

Available in 50, 70, and 100 watts.
Lamp and glare guard are included.
Uses ED17 lamps.



Metal Halide (MH)

- Low operating cost
- Excellent color rendering
- Requires brief start-up
- Up to 15,000 hours average lamp life
- Output: Up to 9,000 lumens

Available in 50, 70, and 100 watts.
Lamp and glare guard are included.
Uses open fixture rated ED17 lamps.



500 Watt Quartz Halogen (QH)

- Instant on
- Excellent color rendering
- Up to 3,000 hours lamp life
- Output: Up to 11,100 lumens

Available in 500 or 300 watts. 120V only.
Lamp and wire guard are included.
Uses 500 watt or 300 watt T3 lamps.

SINGLE - STRUT ARMS: Made from 1 1/2" square steel tubes, have a 3/16" thick 3" x 5" steel mounting bracket and a standard 3-conductor AC cord with standard 3-prong plug. A wrist-action joint (except on the 24" arm) permits multi-directional movement. An On/Off rocker switch controls power to the head.

24" Arm



42" Arm



60" Arm

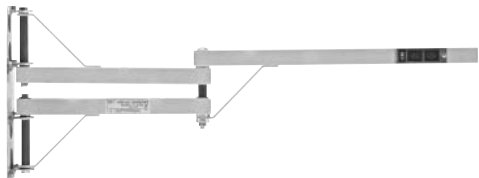


90" Arm

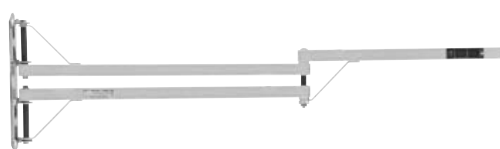


DOUBLE - STRUT ARMS: Operates a light head/fan combination. Made from 1 1/2" square steel tubes with a 3-conductor AC cord with a standard 3-prong plug. An On/Off rocker switch controls power to one of the two receptacles. A 3/16" steel bracket with a 5" x 17" footprint and three steel braces easily support the extra weight.

42" Arm



60" Arm



ACCESSORIES



ADJUSTABLE WALL BRACKET

Enables height adjustment of single-strut arms 42" and under. Bracket has 22" (55.9 cm) vertical travel.

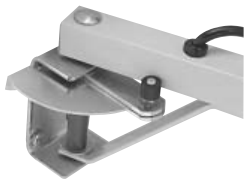
ORDER: WB-22



POLYCARBONATE GUARD

Protects against lamp damage and contains any glass from a broken lamp. Ideal for food processing applications. Works as an alternative to the GG-1 on HID units. Use only with fixtures rated for 70 watt maximum.

ORDER: PG-1



SWING STOP KIT

Use with wall-mounted models. Limits fixture swing preventing overhead door damage. Adjustable through 180°. Installs easily.

ORDER: SS-1



FAN

18" in diameter, operates at 3 speeds providing up to 8250 CFM circulation. Front and rear chrome-plated safety grills enclose the blades. Rotates vertically and horizontally. Fan plugs directly into double strut arm. Weight: 18 lbs. **To support the fan's weight and for a second receptacle, use only with double-strut (-DS) modular arms.** Draws 2.6 Amps on high setting.

ORDER: DL-FAN-18



LIGHT HEAD HANDLE

Allows user to aim fixture without touching light head. Fits IR fixtures and incandescent, HPS, and MH modular heads. Adjustable strap permits flexible handle positioning for ease of operation.

ORDER: LH-1



WIRE LAMP GUARD

Provides maximum protection against lamp theft or damage. Used as optional replacement for standard guard shipped with unit. Recommended for areas where lamp theft is a problem. Installs easily. Hinged for relamping. Will not fit over glare guards or polycarbonate guards. 7 1/2" (19 cm) diameter. For modular heads and IR models.

ORDER: WG-R



UNIVERSAL MOUNTING BRACKET

Enables wall mounting of Impact-Resistant model DL-INC-IR to accommodate overhead doors that open inward. Mounts at or above door header - out of the way of equipment and freight. Minimizes possibility of a door closing on light fixture.

ORDER: UB-1



GLARE GUARDS

Reduces glare and protects against lamp theft or damage. Meets OSHA requirements for lamp and personnel protection. 7 1/2" (19cm) diameter for incandescent modular models (comes standard on modular HPS and MH models).

ORDER: GG-1

COMPLIANCES

UL 153 Listed: Suitable for Dry Locations

cUL LISTED: Indoor

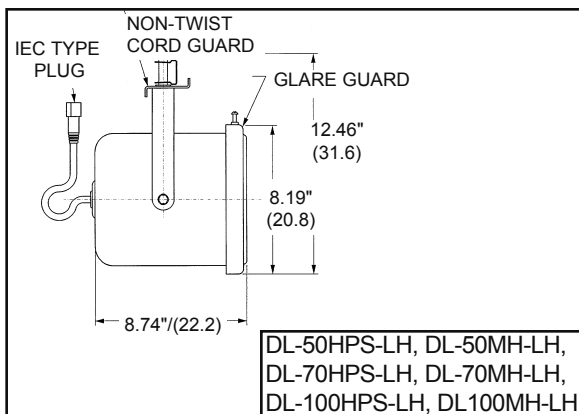
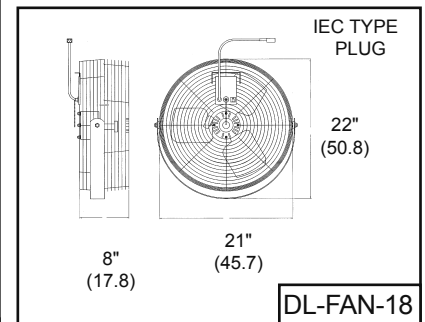
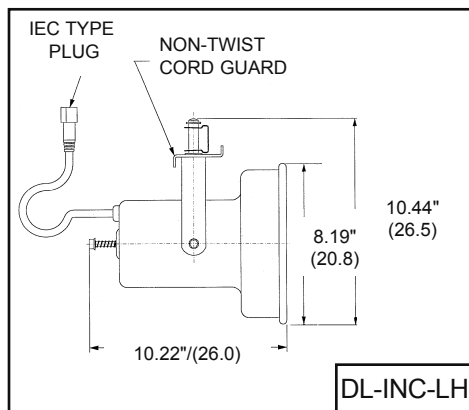
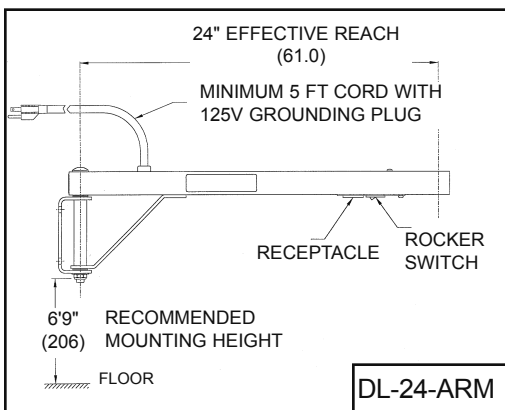
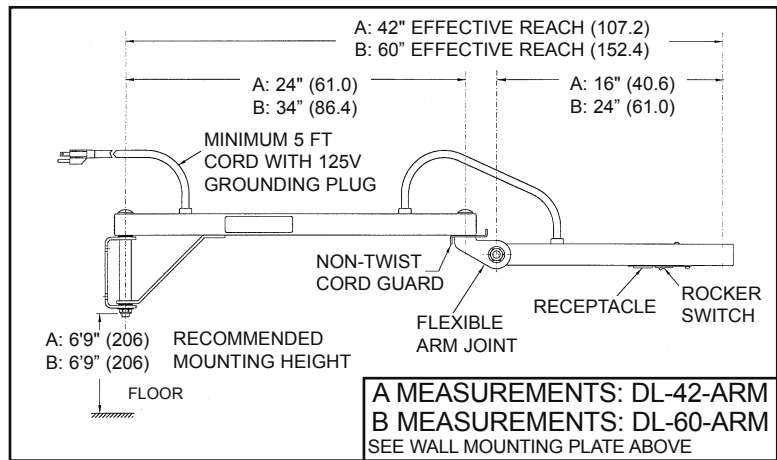
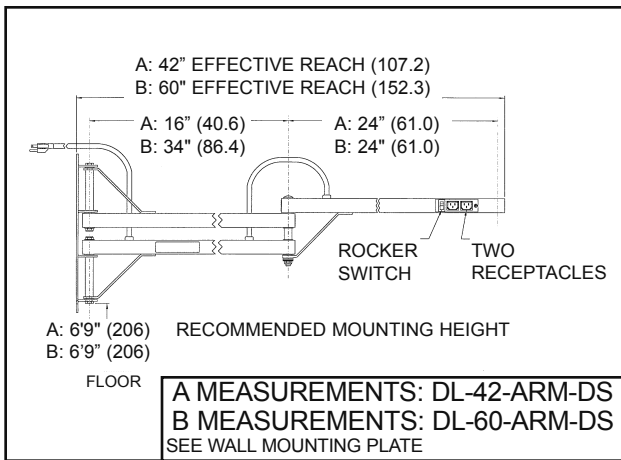
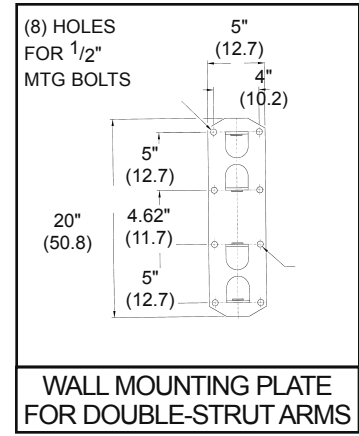
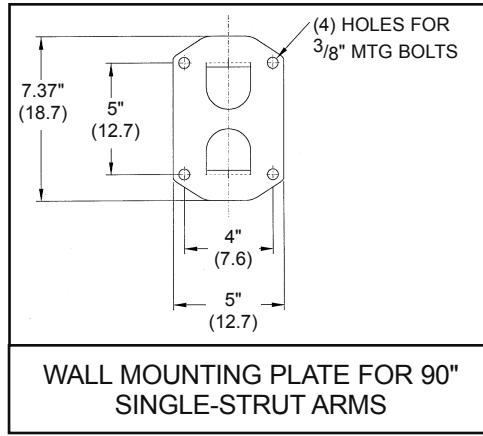
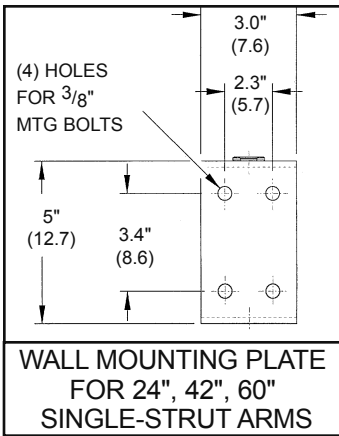
LAMPING and AMPERAGE DRAW DATA

Light Head	Type	Watts	Bulbs	Base	Phoenix Part Number	Amp Draw
						120V
INC - STEEL	Incandescent/Halogen PAR	Up to 300	Par 38/BR40 (Flood Type)	Med. Skt./Med.	4202700 (Q250PAR/FL30) 4220118 (90PAR/H/FL25)	2.50
INC - POLYMER	Incandescent/Halogen PAR	Up to 250				2.30
CFL	Compact Fluorescent					0.47
50 HPS	High Pressure Sodium	50	ED 17	Med.	4211300	1.80
70 HPS	High Pressure Sodium	70	ED 17	Med.	4212600	2.10
100 HPS	High Pressure Sodium	100	ED 17	Med.	4212700	3.10
50 MH	Metal Halide (open fixture rated)	50	ED 17	Med.	4220001	1.00
70 MH	Metal Halide (open fixture rated)	70	ED 17	Med.	4220031	2.50
100 MH	Metal Halide (open fixture rated)	100	ED 17	Med.	4220039	2.95
500 QH	Quartz Halogen	300/500	T3	RSC	4220014 (500T3Q/CL-FCL)	4.17

For Incandescent models, amp draw is calculated using highest wattage lamp allowable.

For High Pressure Sodium and Metal Halide models, lower amp draw options are available. Please contact factory.

DIMENSIONS



TECHNICAL DATA

- **Wiring:** Three-conductor AC cord from arm plugs directly into standard outlet. Male plug on light head cord plugs into female receptacle in arm. All wiring and junction boxes are located inside the arm.
- **Color:** Safety Yellow.

N5610208H