

**SAVE-T®**

**Chain Hoist**

**SCREEN-PRO™**  
**All Season Roll-Up Doors**

---

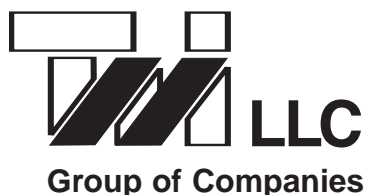
**WALL MOUNTING METHOD**  
**INSTALLATION INSTRUCTIONS**



**READ THIS FIRST**

Carefully examine the crate(s) for damage before opening. If the carton is damaged, immediately notify shipping company. Open the carton(s) and remove all protective packaging. Retain the shipping carton(s) until the unit(s) is installed and properly operating. TMI, LLC is not responsible for delayed or late claims.

Serial No: \_\_\_\_\_ Model #: \_\_\_\_\_ Date Purchased: \_\_\_\_\_



## Warning

To Reduce the Risk of Fire, Electrical Shock, or Injury, Observe the Following:

- Use this unit only in the manner intended by the manufacturer. If you have any questions, contact the manufacturer.
- Installation work must be done by a qualified person(s) in accordance with all applicable codes and standards.
- When cutting or drilling into wall or ceiling, do not damage electrical wiring and other hidden utilities.
- All electrical work should be performed in accordance with local and state building codes. If you are in doubt of proper wiring installation, we recommend acquiring the services of a certified electrician.

### Read and Save These Instructions

Please read the "READ THIS FIRST" note on the front cover of this manual before proceeding.

#### IMPORTANT NOTE

If the Screen-Pro was ordered with optional electrical components and accessories (door switch, control panels, mounting brackets, etc), the accessories may be found in an additional box. Check all of the boxes before disposing

## TYPES OF DOORS

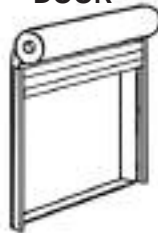
PLAIN  
DOORWAY  
OPENING



OVERHEAD  
DOOR

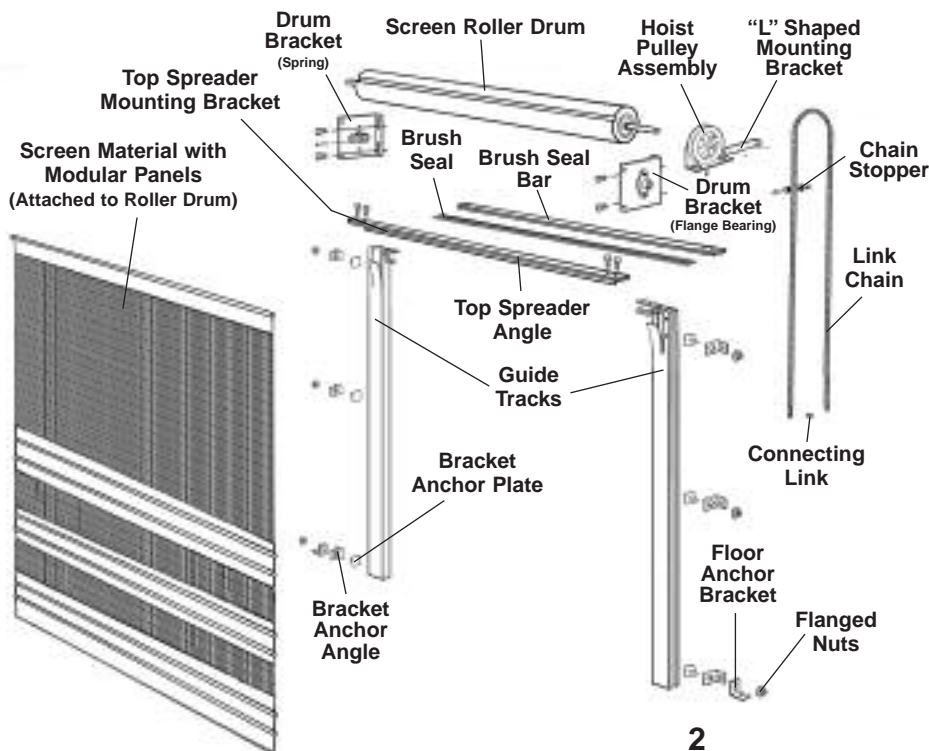


ROLL-UP  
DOOR



There are a variety of doors used at both industrial and commercial facilities. Each has its specific opening/closing mechanism. This Screen-Pro unit has been shipped with hardware to accommodate a Wall Mounting Method. The Guide Tracks should be mounted flush against the wall.

## SCREEN-PRO COMPONENTS



#### REQUIRED TOOLS

It is recommended that two people install the door together.

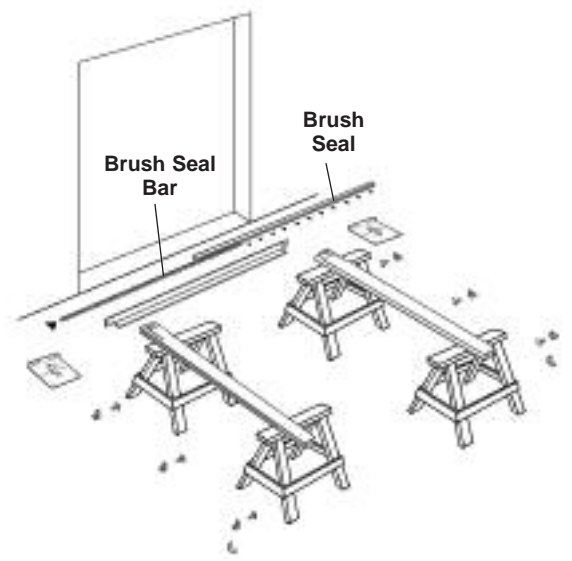
The following tools will be needed for installation:

- Carpenter's Level (Min. 4' Length)
- Carpenter's Square
- Hammer Drill
- Masonry Drill Bit  
(For 3/8" Diameter Anchors)
- 3/8" Diameter and Various Wall Anchors
- Assorted Shim Stock
- Socket and Wrench Set
- Hand Tools
- Four Bar Clamps (36" Long)
- Two Ladders
- Forklift (Supplied by Dealer or Customer)

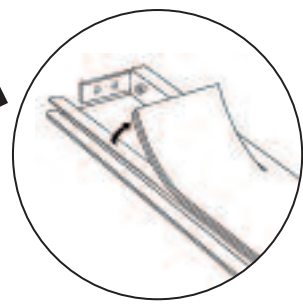
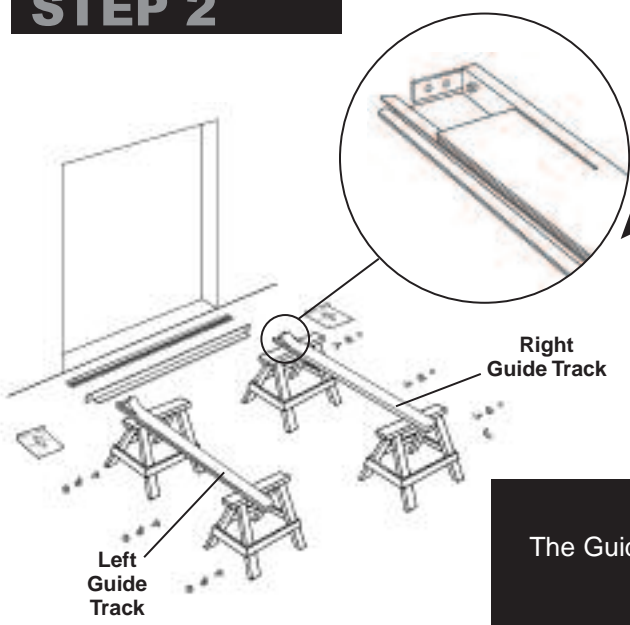
# STEP 1

Lay the basic components in front of the doorway opening. Using work horses will make the assembly process easier although it is not essential.

Slide the Brush Seal into the edge groove of the Brush Seal Bar.



# STEP 2



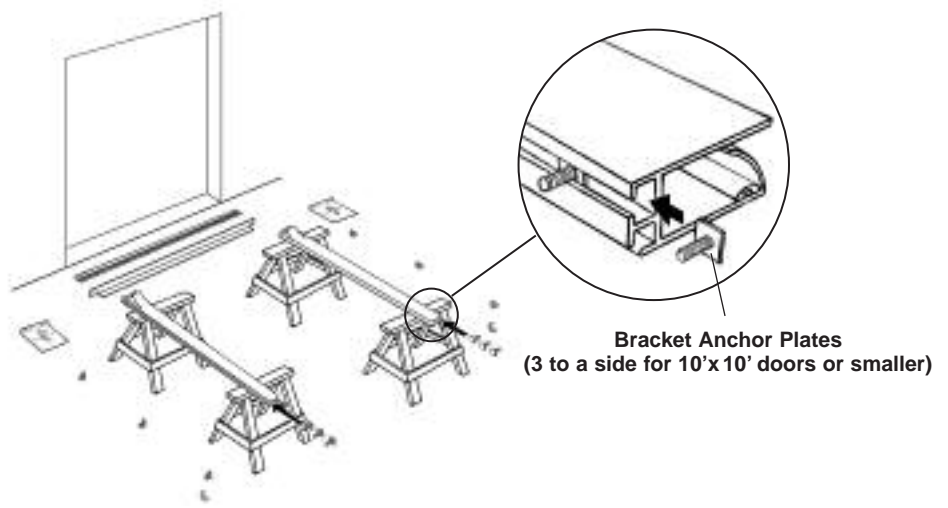
**NOTE:** There is a left and a right Guide Track.

**IMPORTANT**  
The Guide Track Flare Plate ships flat and must be bent out 1 1/2" before any assembling takes place.

Place the Guide Tracks on the horses with the Guide Flare Plate facing up.

# STEP 3

Slide the Bracket Anchor Plates into the guide channel that is on the outside edge of the Track Guides. There are 6 Anchor Plates, 3 for each side on a 10' high door.

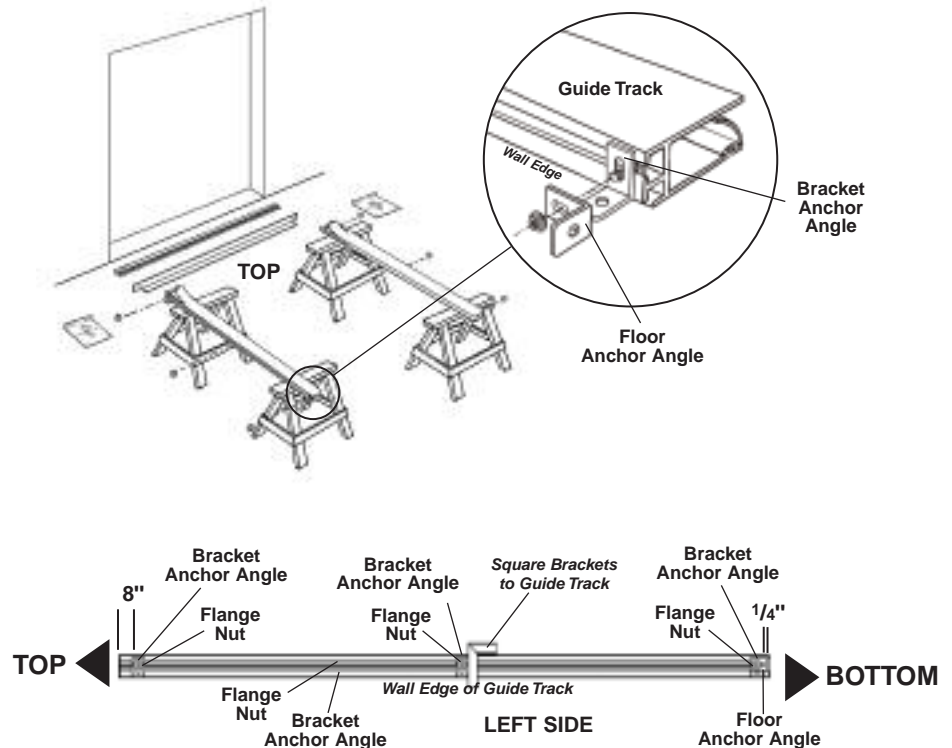


## STEP 4

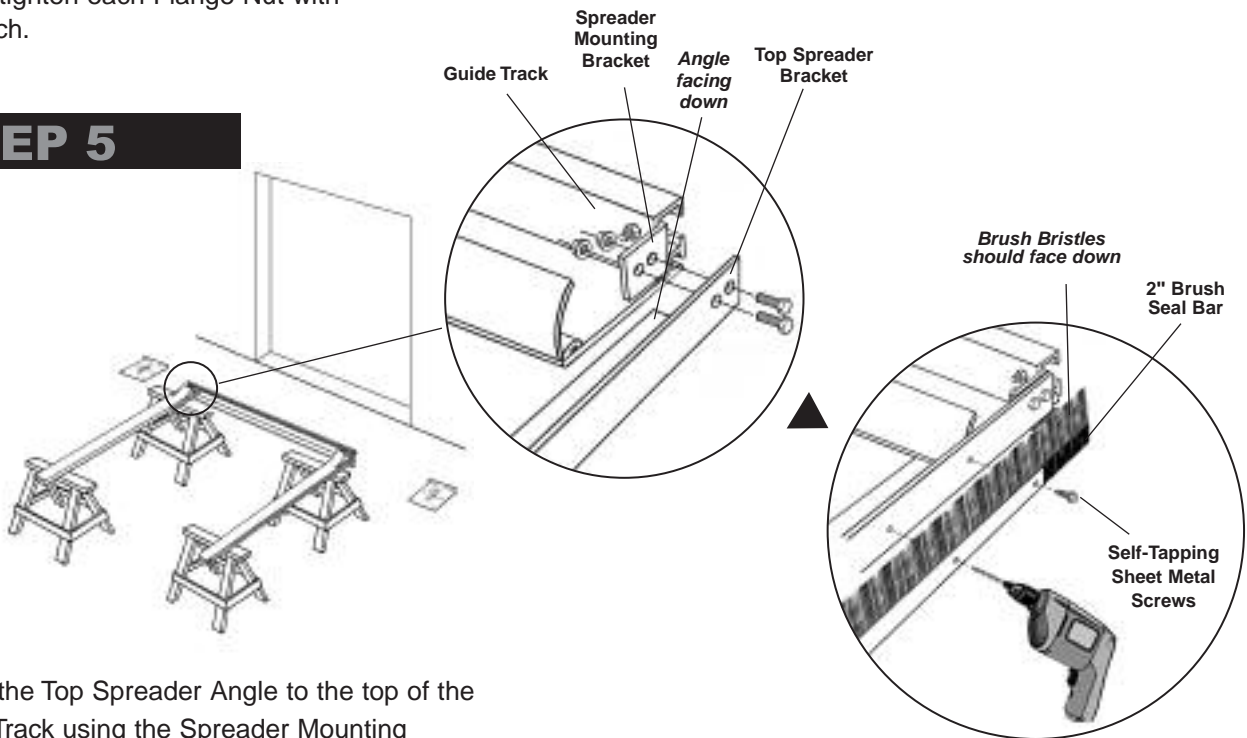
Place a Bracket Anchor Angle on each Bracket Anchor Plate. The top Angle should be 8" down from the top of the Guide Track. The bottom Angle should be 1/4" from the bottom of the Track. Also, place the Floor Anchor Angle on the bottom Bracket Anchor Plate. The remaining two Angles should be evenly placed between the top and bottom Angles.

**NOTE:** The oval hole on each Angle should go over the threaded stud.

Place a Flange Nut on each Anchor Plate and hand tighten. Use a square to make sure that each Anchor Angle is perpendicular to the Guide Track and flush with the Wall Edge. Also, the bottom of the Floor Anchor Angle is flush with the bottom of the Track. Finally tighten each Flange Nut with a wrench.



## STEP 5



Attach the Top Spreader Angle to the top of the Guide Track using the Spreader Mounting Bracket. Make sure the back of the Spreader Angle is facing down and toward the wall.

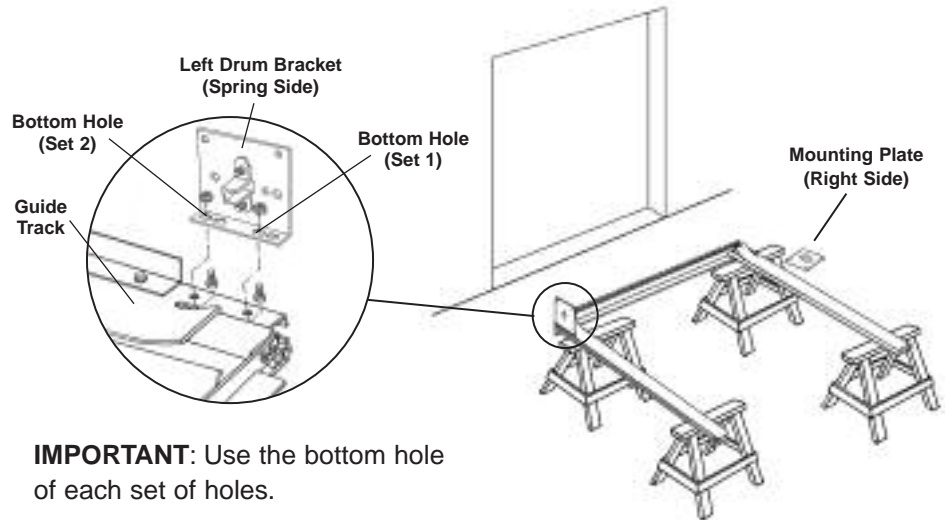
Use 2 bolts and flange nuts on each side to secure all the components.

Place the 2" Brush Seal Bar on top of the Spreader Bracket and center it. The brush bristles should be facing in and down towards the screen barrel. Mark each mounting hole on the Spreader Bracket. Remove the bar and drill small holes.

Replace the bar and secure it with Self-Tapping Sheet Metal Screws.

## STEP 6

Attach just the left Drum Mounting Plate to the top of the Guide Track using 5/16" x 1-1/4" bolts with flange nuts. The Mounting Plate Flange should face inward toward the center of the unit.



**IMPORTANT:** Use the bottom hole of each set of holes.

## STEP 7

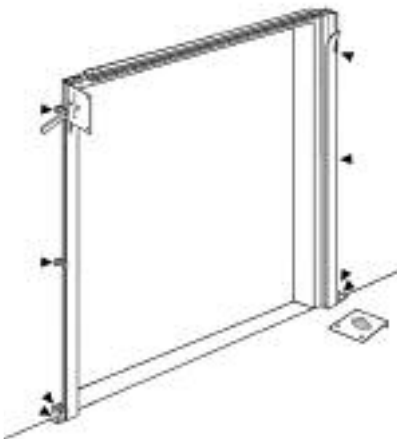


Using a helper, swing the assembly into place and center it on the doorway opening. The bottom of the Guide Tracks should be on the floor and the Bracket Anchor Angles should be flush against the wall. Make sure that each Guide Track is plumb. Mark each of the holes including the Floor Anchor Brackets.

Remove the assembly and drill the holes. If the wall is concrete or cement block, a wall anchor (not included) will be necessary.



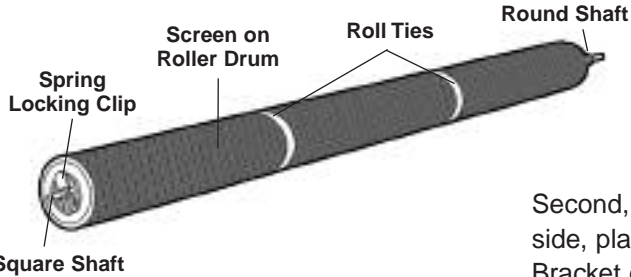
Then replace the assembly and secure it to the wall using lag screws.



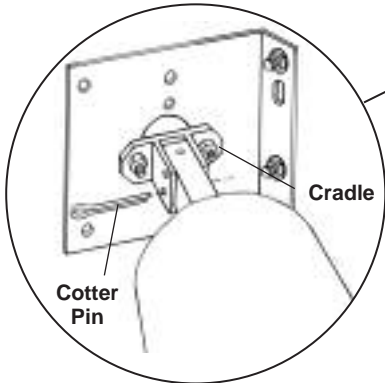
# STEP 8

## WARNING

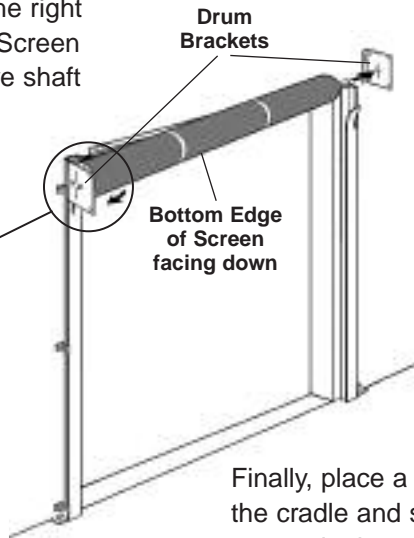
The spring tension for the Roller Tube is pre-set at the factory and is shipped with the Lock Plate in place. DO NOT remove the Spring Locking Plate until the assembly process is completed. Also DO NOT remove the Roll Ties until the Roll Tube is secured to both End Plates.



First, with the Spring Locking Clip and square shaft to the left, the Flange Bearing and round shaft to the right and the Bottom Edge of the Screen facing down, place the square shaft into the Cradle.

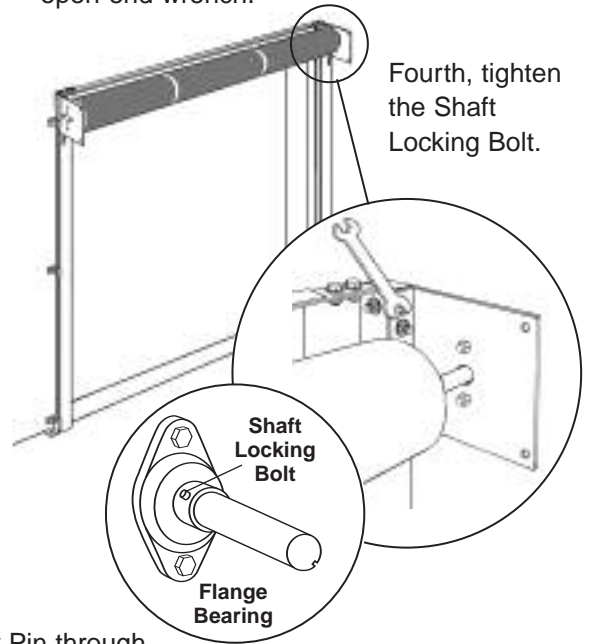


Second, on the right side, place the Drum Bracket over the shaft with the flange bearing facing outward.



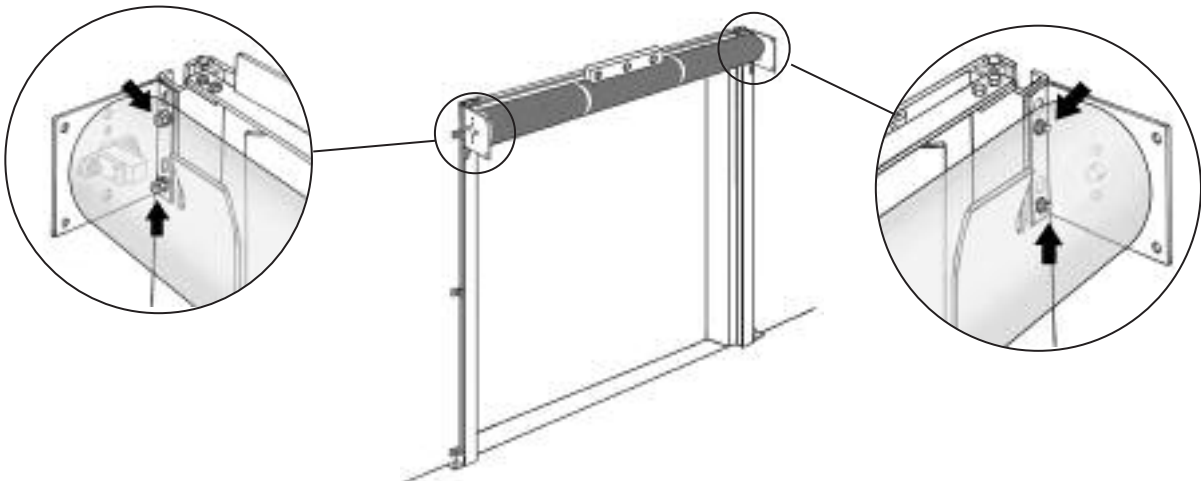
Finally, place a Cotter Pin through the cradle and shaft and spread the cotter pin tines.

\* Third, attach the Drum Bracket to the top of the Guide Track using two 5/16" x 1-1/4" bolts with a flange nuts. Tighten with an open-end wrench.

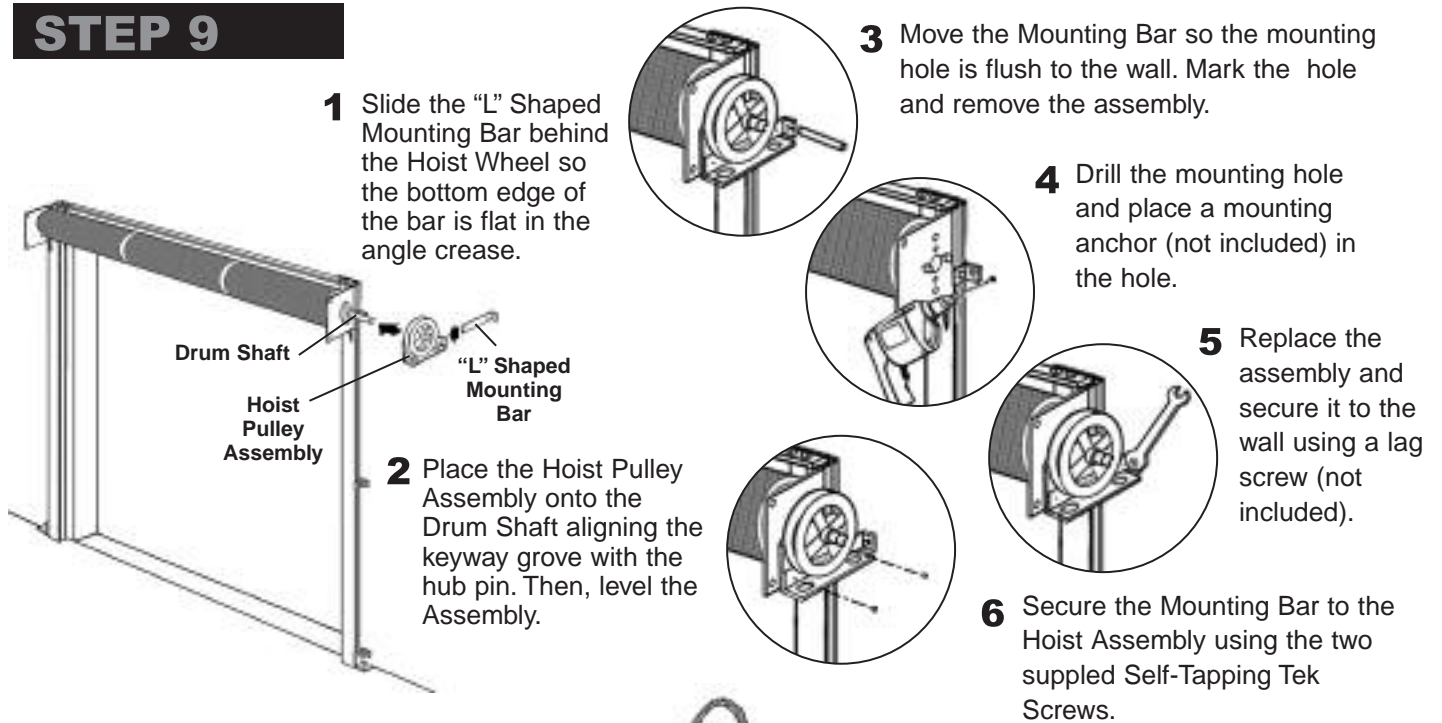


Fourth, tighten the Shaft Locking Bolt.

\* At this point the Screen Roller Drum must be leveled. The Drum Bracket Mounting Bolts on one or both sides can be loosened and the drum can be accurately leveled.

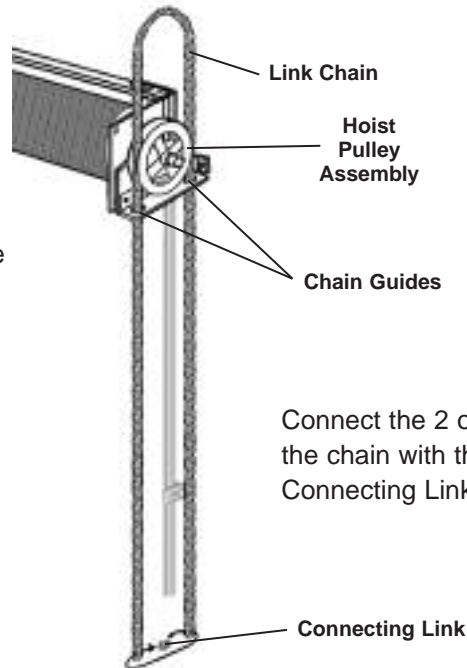


## STEP 9

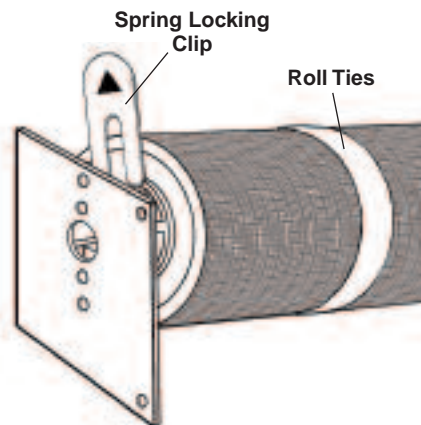


## STEP 10

Feed the Link Chain from the top of the Hoist Pulley Assembly through the 2 Chain Guides.

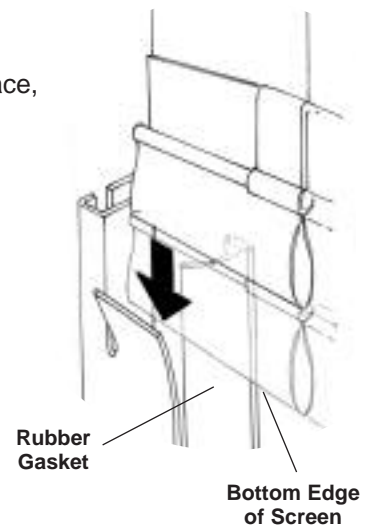


## STEP 11

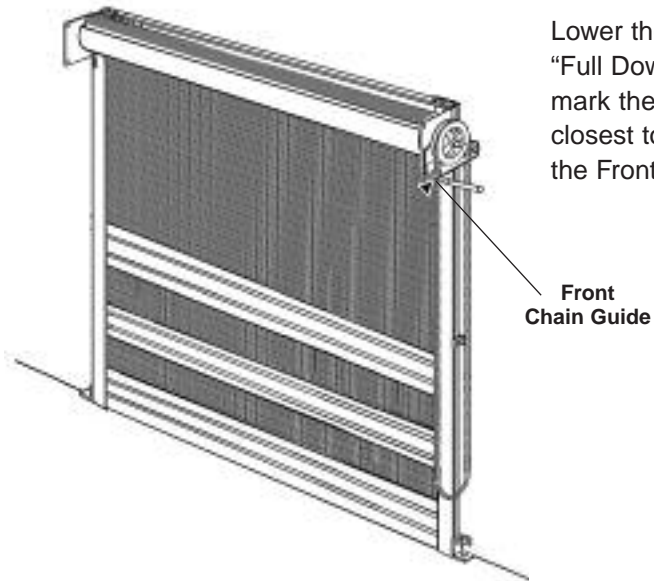


With the Screen Roller Drum in place, remove the Spring Locking Clip.

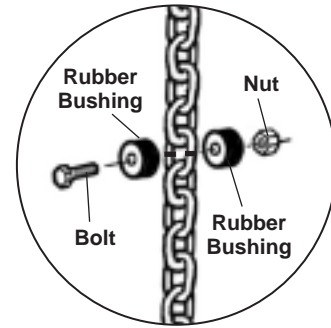
Then carefully cut the Roll Ties without cutting the screen. Slip the bottom edge of the screen into the Guide Tracks. Place the leading edge in front of the Rubber Gasket to create a seal.



## STEP 12

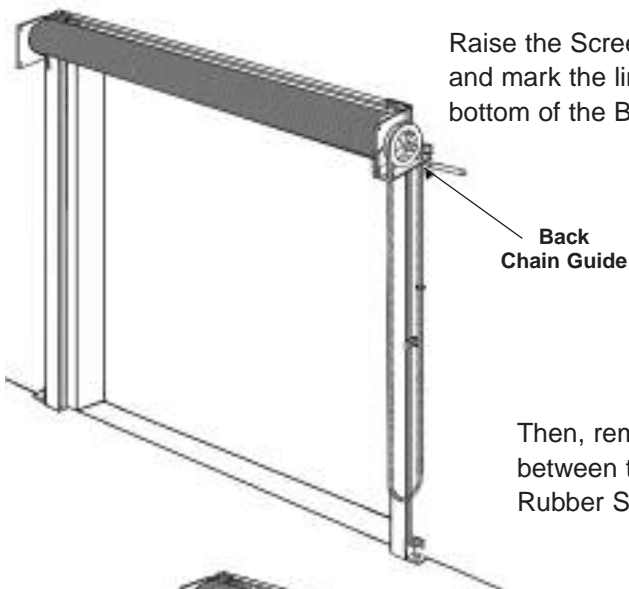


Lower the Screen to the "Full Down" position and mark the link that is closest to the bottom of the Front Chain Guide.



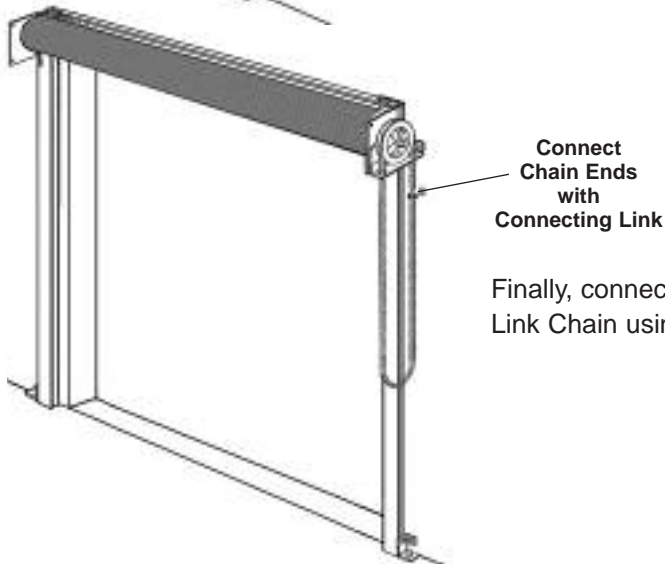
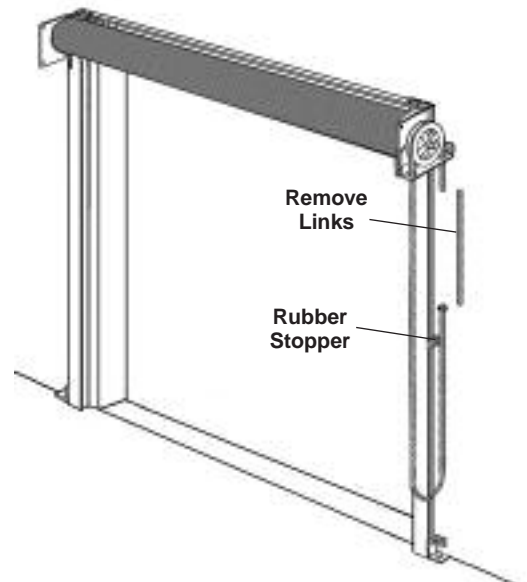
Affix the Rubber Bushing Chain Stopper through the marked link like the illustration above.

## STEP 13



Raise the Screen to the "Full Up" position and mark the link that is closest to the bottom of the Back Chain Guide.

Then, remove the links that are between the new mark and the Rubber Stopper.

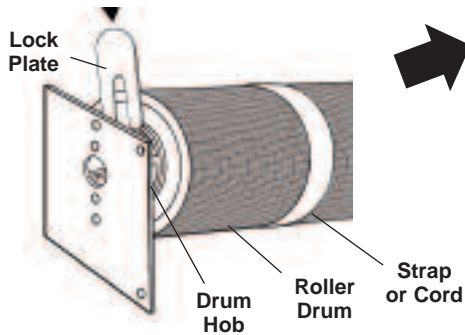


Finally, connect the two ends of the Link Chain using a connecting link.

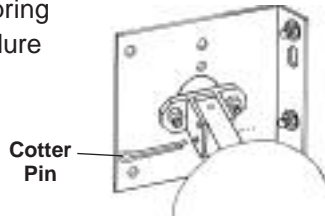


## ADDING TENSION TO THE SPRING

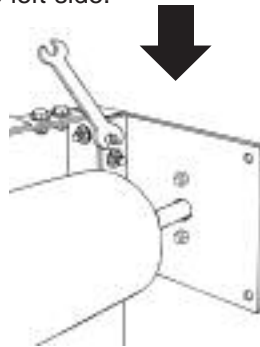
If after testing the door movement, the spring needs more tension, the following procedure should be taken.



First, wind up the screen so it is completely on the Roller Drum. Using a strap or cord, secure the screen so it is unable to unwind. Place the Lock Plate into the Drum Hub.



Then, remove the Cotter Pin on the left side.



Next, detach the right side Drum Bracket from the right Guide Track. Then lift the Screen Roller Drum out of the left Drum Bracket cradle.



Finally, with the Roller Drum totally stabilized, lock a Vise Grip onto the shaft. Keeping everything in tension, remove the Lock Plate. Turn the shaft clockwise one complete turn and replace the Spring Locking Clip.

***After tensioning, replace the Roller Drum in reverse order.***

## NOTES

**800-888-9750**

TMI, LLC • 5350 Campbells Run Road • Pittsburgh, PA 15205-9738 • 412.787.9750  
Fax: 412.787.3665 • Web Site: [www.tmi-pvc.com](http://www.tmi-pvc.com) • E-Mail: [customer-service@tmi-pvc.com](mailto:customer-service@tmi-pvc.com)