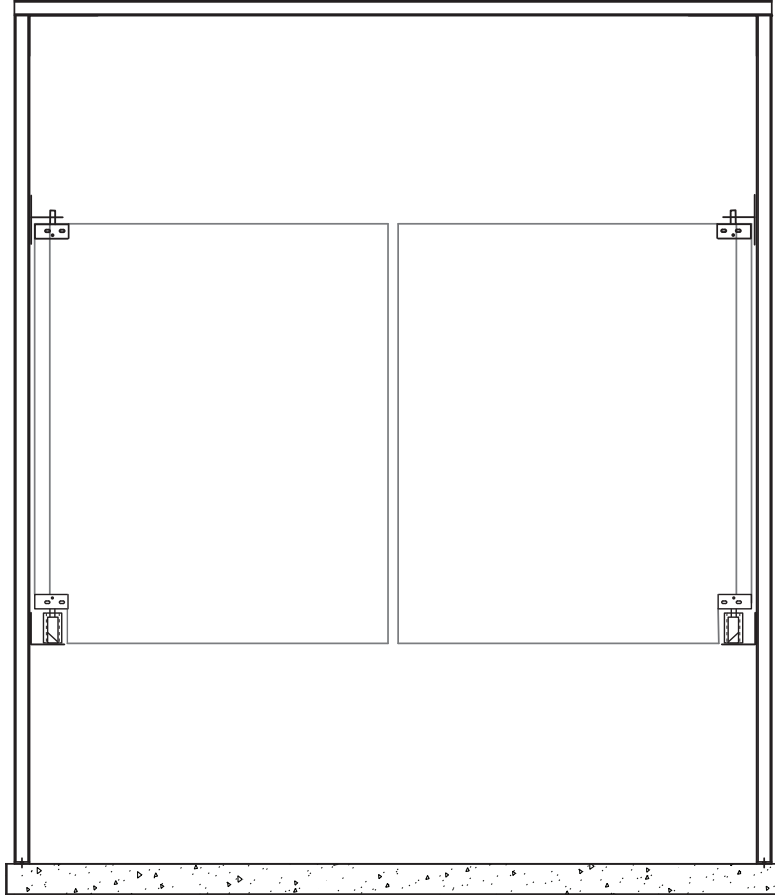
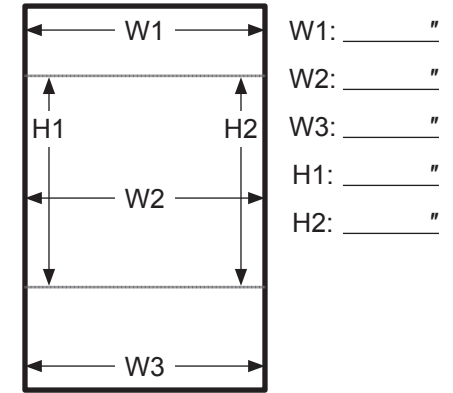


**SERVICE-PRO® CAFE SWINGING DOOR**



**DOOR OPENING/PANEL DIMENSIONS**



Please Note: Width measurements pertain to the door opening, **NOT** the actual door. Height measurements are the desired door panel height.

**DOOR SPECIFICATION**

- Bi-Parting (Double Panel)  Single Panel
- Left  Right
- Straight Door Edging (Standard)
- Curved Door Edging†

† Not Available on Aluminum, Wood Core or Stainless Steel Construction Doors

**DOOR CONSTRUCTION**

- .063" Anodized Aluminum  .750" Wood Core
- .250" ABS Plastic  18 Gauge Stainless Steel
- .500" HDPE Plastic

**DOOR FINISH**

- Solid Door (No Finish)\*
- Stainless Steel†
- Laminate Finish†
  - Black  Beige  Mid-Tone Wood
  - White  Light Wood  Cherry Wood
  - Other: \_\_\_\_\_

\* Not Available on Wood Core Doors

† Not Available on ABS, HDPE or Stainless Steel Doors

**BLACK ABS IMPACT PLATES**

- 12"  18"
- 24"  30"
- 36"  48"

**HARDWARE**

- Cafe/Gate Hinge (Standard)
- Bottom Pin (Standard)
- Stainless Steel Hinge & Bottom Pin

**CUSTOM SPECIFICATIONS**

\_\_\_\_\_

**SIGNATURE REQUIRED**

JOB NAME/LOCATION \_\_\_\_\_

CUSTOMER/LOCATION \_\_\_\_\_

ORDER # \_\_\_\_\_ CUSTOMER PO # \_\_\_\_\_

Charges will be assumed by buyer for changes or cancellations to work in process. Buyer hereby accepts responsibility for all sizes and dimensions. This order will not be processed until all acknowledgment forms are signed and returned.

**X** \_\_\_\_\_ DATE \_\_\_\_\_

**STANDARD CAFE FEATURES:**

- Cafe/Gate Hinge Assembly
- Bottom Pin
- Straight Door Edging

*Pictured: Bi-Parting Door*