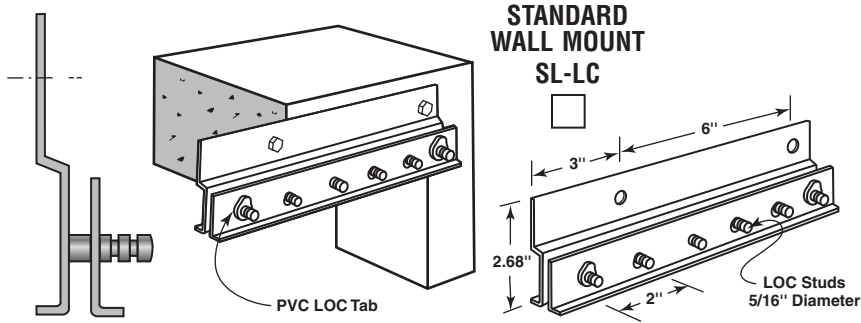
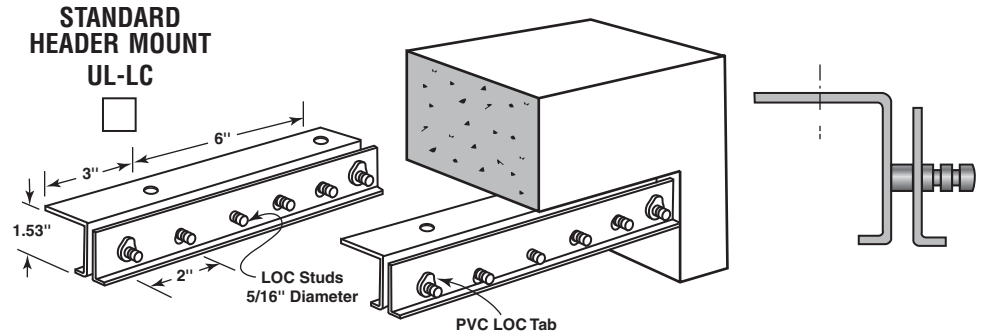


SAVET[®] LOC STRIP DOOR HARDWARE AND TYPES OF MOUNTING

PLEASE CHECK THE APPROPRIATE BOX FOR YOUR SPECIFIC APPLICATION

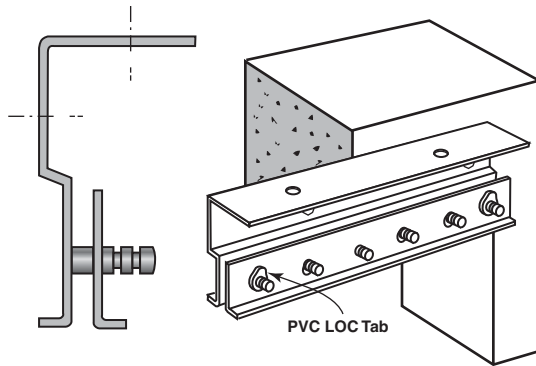
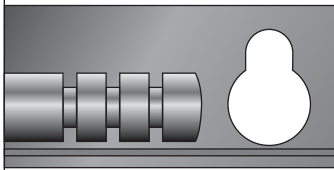


**STANDARD WALL MOUNT
SL-LC**

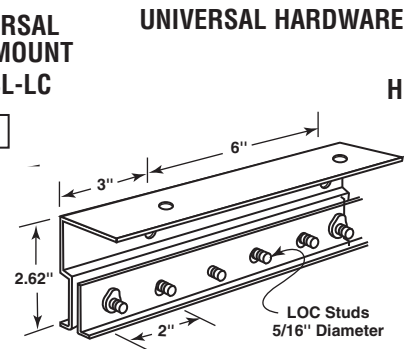


**STANDARD HEADER MOUNT
UL-LC**

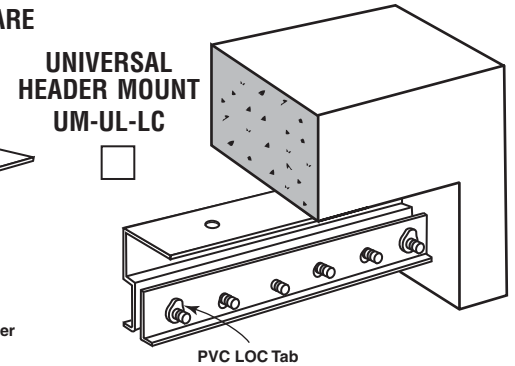
The SAVET[®] LOC System



**UNIVERSAL WALL MOUNT
UM-SL-LC**



UNIVERSAL HARDWARE



**UNIVERSAL HEADER MOUNT
UM-UL-LC**

| |
|-------------|
| CUSTOMER: |
| ADDRESS: |
| CITY/STATE: |
| JOB: |
| MODEL: |
| PO No: |

CERTIFIED FOR CONSTRUCTION

| |
|-------------|
| TO: |
| DATE: |
| COMPANY: |
| CITY/STATE: |

TMI INC. DEALER REPRESENTATIVE

| |
|---|
| COMPANY: |
| ADDRESS: |
| CITY/STATE: |
| PHONE () EXT. |



TMI, LLC
5350 Campbells Run Road
Pittsburgh, PA 15205-9738
Tel: 412-787-9750 • Fax: 412-787-3665

SAVET[®] LOC STRIP DOORS

DRAWING BY:
DATE:

CHECKED BY:
DATE:

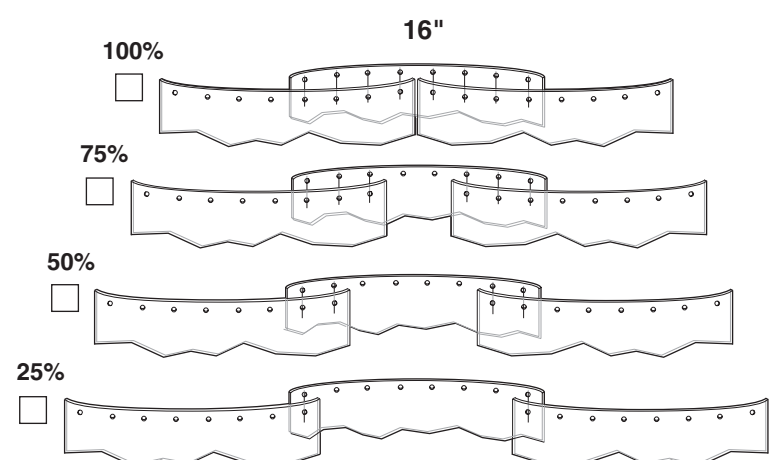
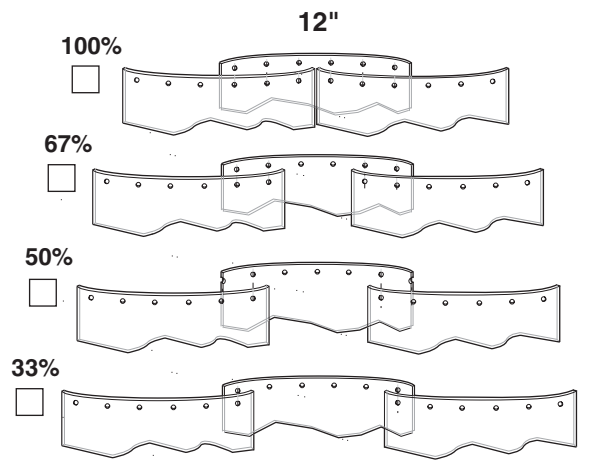
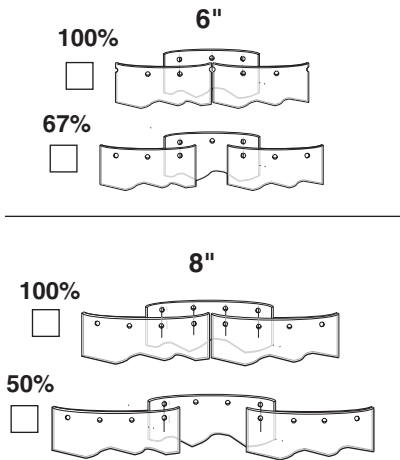
SHEET OF

| REVISIONS | NO. | DATE | DESCRIPTION |
|-----------|-----|------|-------------|
| | | | |
| | | | |
| | | | |

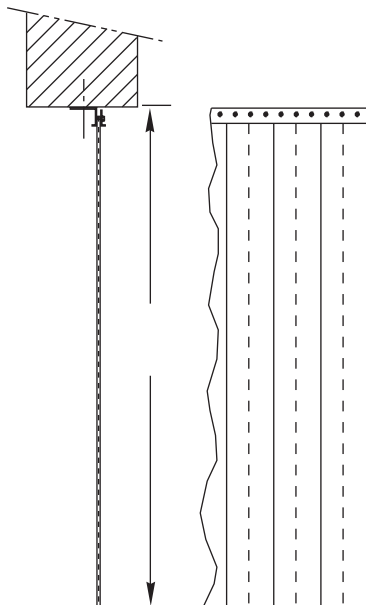
IMPORTANT
PLEASE COMPLETE THE REVERSE SIDE
OF THIS FORM

STANDARD *SAVET*® STRIP OVERLAP CONFIGURATIONS

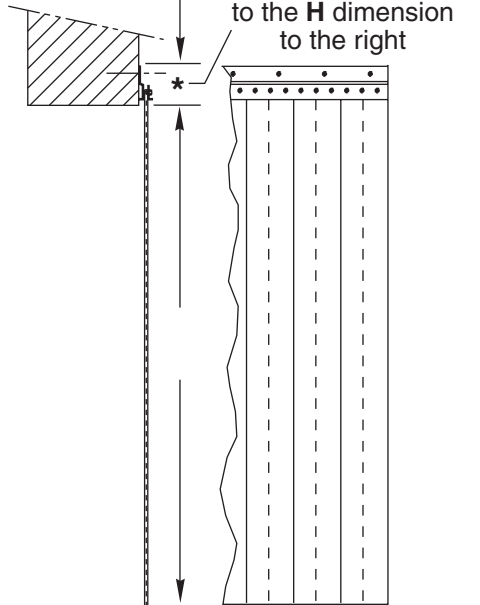
PLEASE INDICATE THE WIDTH AND OVERLAP DESIRED BY CHECKING THE APPROPRIATE BOX



HEADER MOUNT

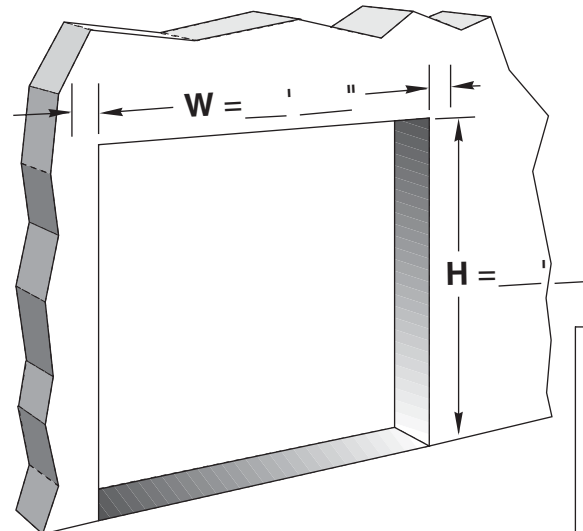


WALL MOUNT



DOORWAY OPENING

PLEASE INDICATE BOTH THE HEIGHT AND WIDTH OF THE DOORWAY OPENING



*** Note:**
FOR WALL MOUNT ONLY

If additional coverage is required include this in the doorway width and height

IMPORTANT
PLEASE COMPLETE THE REVERSE SIDE OF THIS FORM



5350 Campbells Run Road
Pittsburgh, PA 15205-9738

800-888-9750

Tel: 412-787-9750 • Fax: 412-787-3665

***SAVET*® LOC STRIP DOORS**