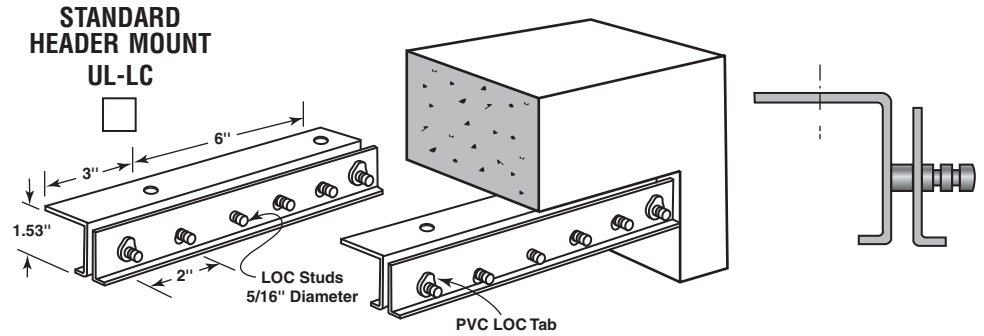
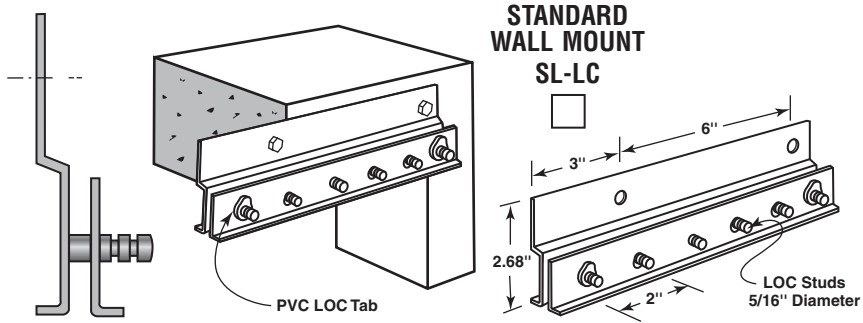
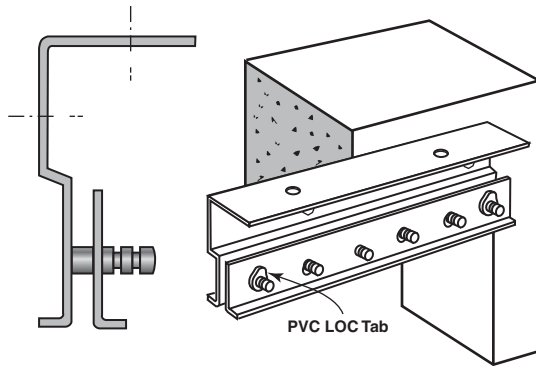
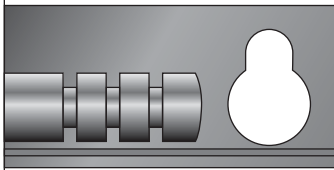


# SAVET<sup>®</sup> LOC STRIP DOOR HARDWARE AND TYPES OF MOUNTING

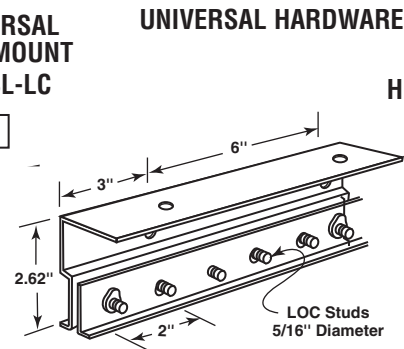
PLEASE CHECK THE APPROPRIATE BOX FOR YOUR SPECIFIC APPLICATION



The SAVET<sup>®</sup> LOC System

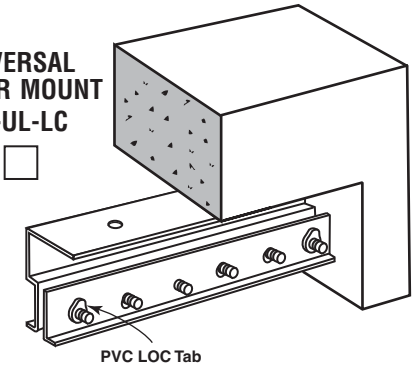


UNIVERSAL WALL MOUNT  
UM-SL-LC



UNIVERSAL HARDWARE

UNIVERSAL HEADER MOUNT  
UM-UL-LC



CUSTOMER:
ADDRESS:
CITY/STATE:
JOB:
MODEL:
LOCATION:

### CERTIFIED FOR CONSTRUCTION

TO:
DATE:
COMPANY:
CITY/STATE:

### TMI INC. DEALER REPRESENTATIVE

COMPANY:
ADDRESS:
CITY/STATE:
PHONE (       )                      EXT.



**TMI, LLC**  
5350 Campbells Run Road  
Pittsburgh, PA 15205-9738  
Tel: 412-787-9750 • Fax: 412-787-3665

## SAVET<sup>®</sup> LOC STRIP DOORS

DRAWING BY:  
DATE:

CHECKED BY:  
DATE:

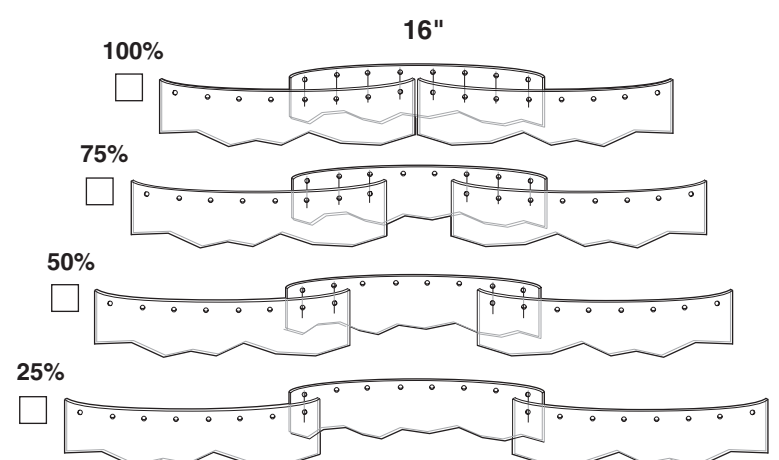
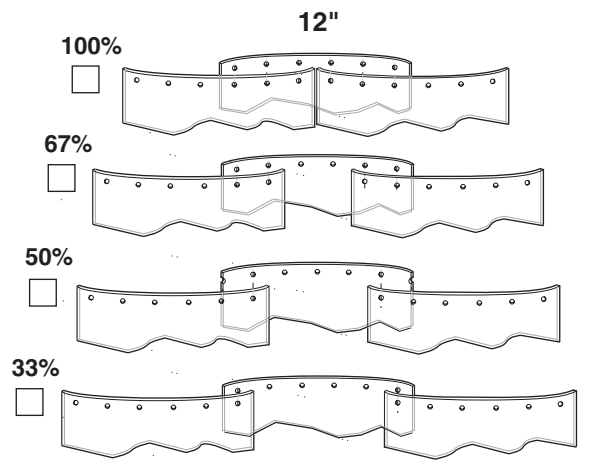
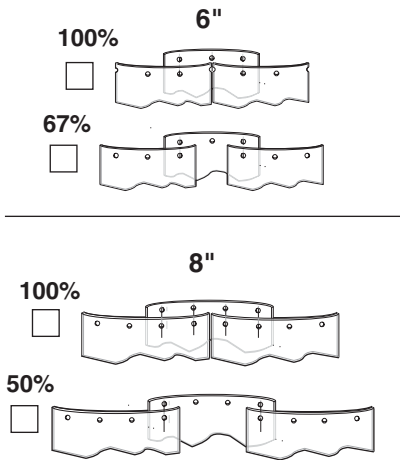
SHEET OF

REVISIONS	NO.	DATE	DESCRIPTION

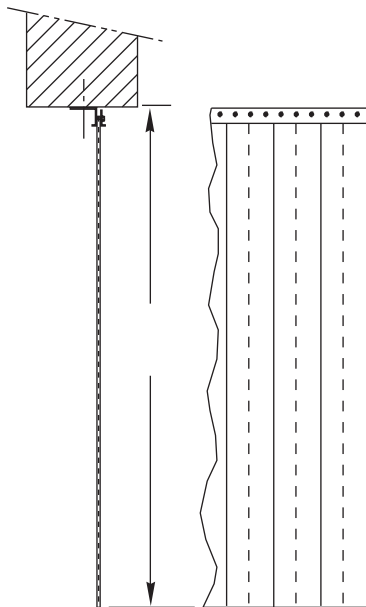
**IMPORTANT**  
PLEASE COMPLETE THE REVERSE SIDE  
OF THIS FORM

# STANDARD *SAVET*® STRIP OVERLAP CONFIGURATIONS

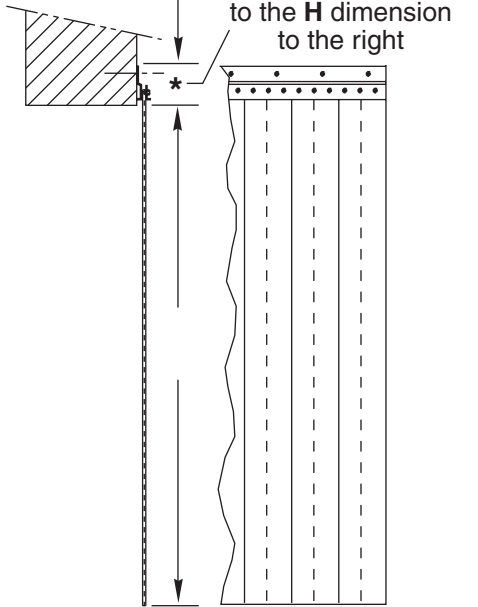
PLEASE INDICATE THE WIDTH AND OVERLAP DESIRED BY CHECKING THE APPROPRIATE BOX



## HEADER MOUNT

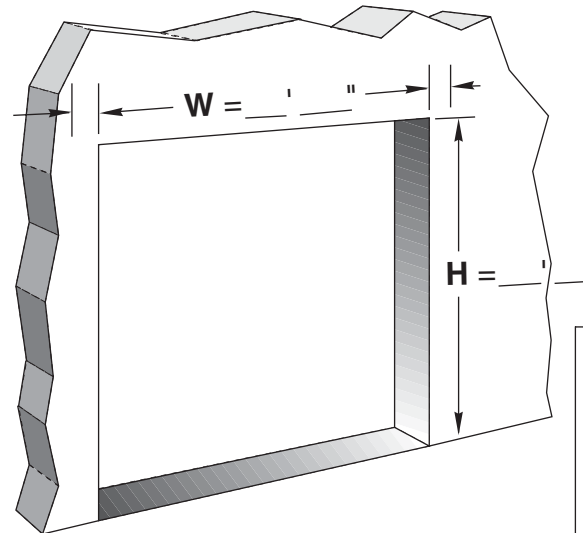


## WALL MOUNT



## DOORWAY OPENING

PLEASE INDICATE BOTH THE HEIGHT AND WIDTH OF THE DOORWAY OPENING



**\* Note:**  
**FOR WALL MOUNT ONLY**

If additional coverage is required include this in the doorway width and height

**IMPORTANT**  
PLEASE COMPLETE THE REVERSE SIDE OF THIS FORM



5350 Campbells Run Road  
Pittsburgh, PA 15205-9738

**800-888-9750**

Tel: 412-787-9750 • Fax: 412-787-3665

***SAVET*® LOC STRIP DOORS**