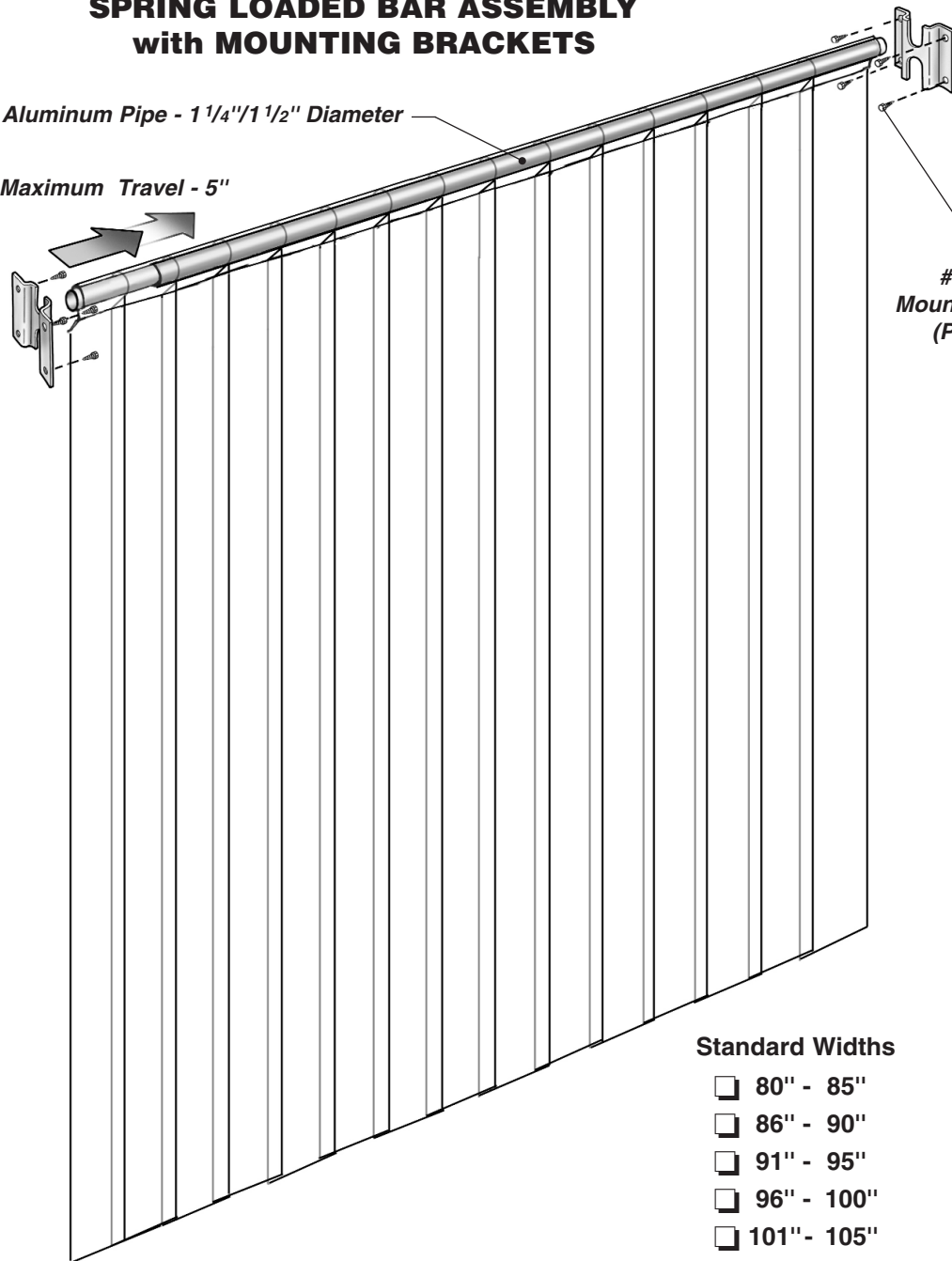


SPRING LOADED BAR ASSEMBLY with MOUNTING BRACKETS

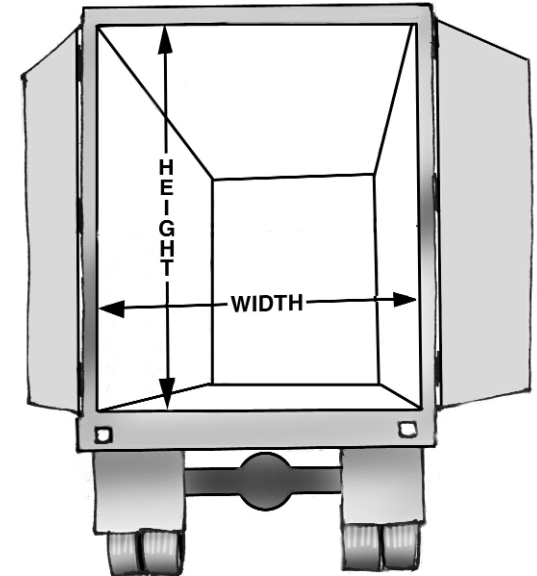
Aluminum Pipe - 1 1/4"/1 1/2" Diameter

Maximum Travel - 5"



#14 x 3/4"
Mounting Screws
(Provided)

MEASURING YOUR DOOR



Door WIDTH in inches _____ "

Door HEIGHT in inches _____ "

NOTE: For *Rolling Door* applications, deduct clearance required for door track.

Standard Widths

- 80" - 85"
- 86" - 90"
- 91" - 95"
- 96" - 100"
- 101" - 105"

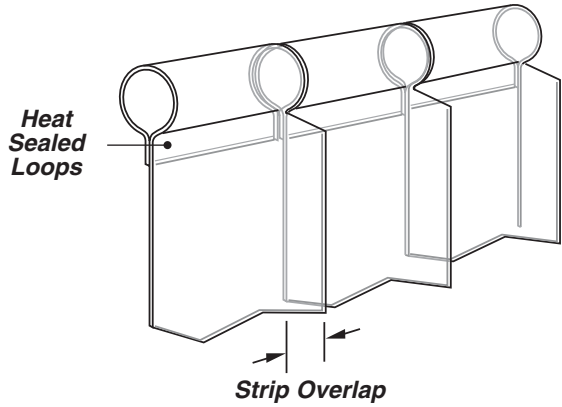


5350 Campbells Run Road • Pittsburgh, PA 15205-9738
800-888-9750 • 412-787-9750

SAVE-T®

**Truck Strip Doors
Model TSD with Looped Strips**

OVERLAP CONFIGURATION



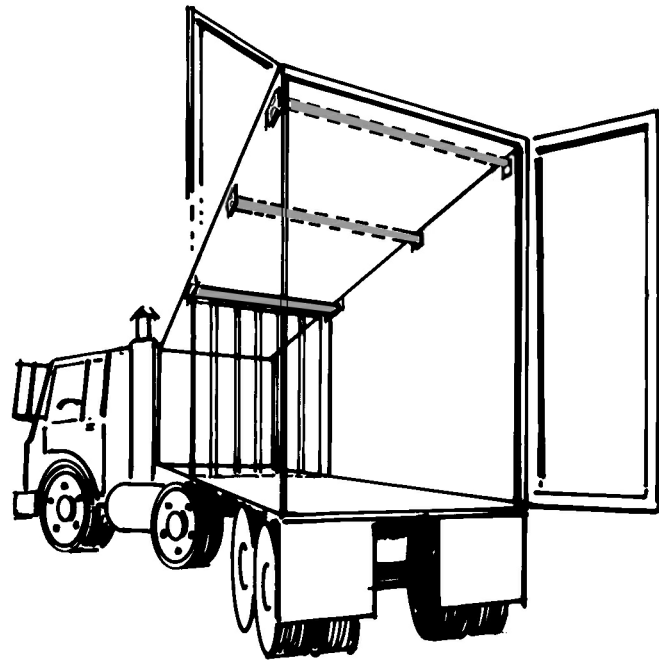
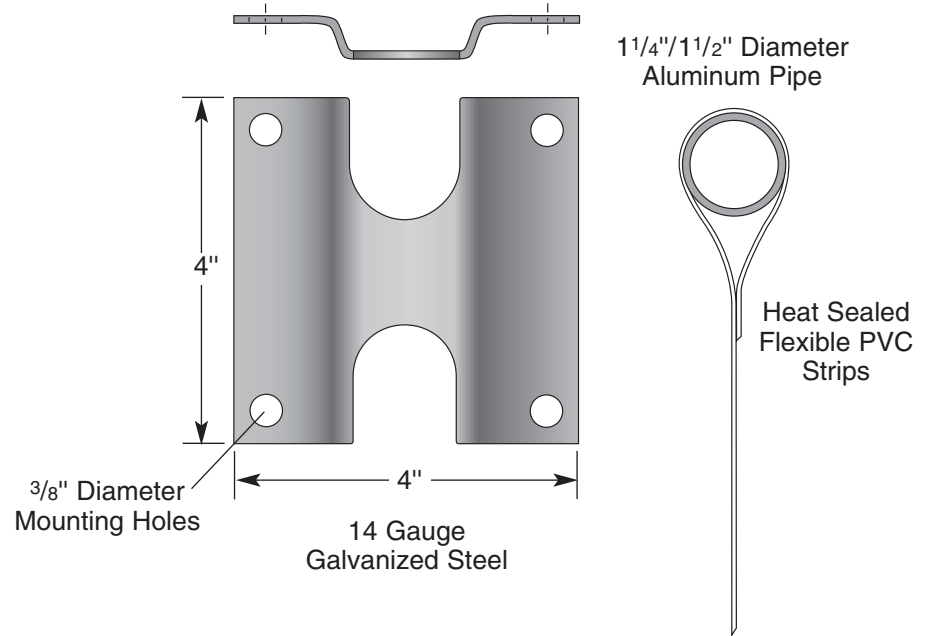
Strip Width

- 6"
- 8"

PVC Grade

- Standard
- Polar

MOUNTING BRACKET



Additional Mounting Brackets

_____ Pair(s)



5350 Campbells Run Road • Pittsburgh, PA 15205-9738
800-888-9750 • 412-787-9750

SAVET®

**Truck Strip Doors
Model TSD with Looped Strips**