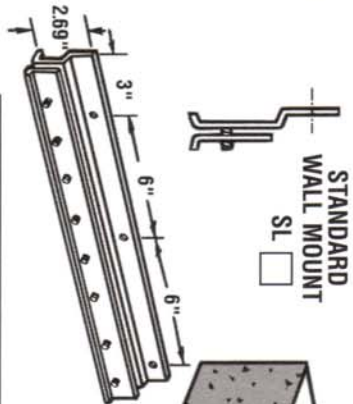


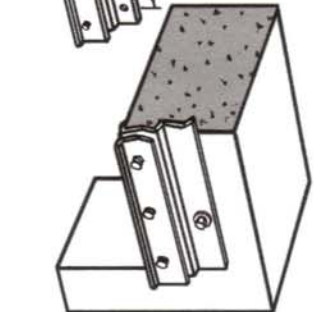
STUDDED S&W[®] STRIP DOOR HARDWARE AND TYPES OF MOUNTING

PLEASE CHECK THE APPROPRIATE BOX FOR YOUR SPECIFIC APPLICATION

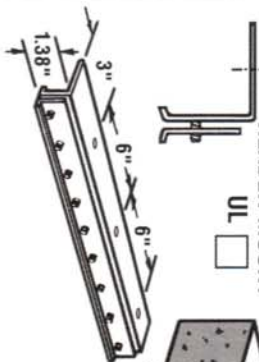
CITY/STATE:	
JOB:	
MODEL:	
LOCATION:	
CERTIFIED FOR CONSTRUCTION	
TO:	
DATE:	
COMPANY:	
CITY/STATE:	
CERTIFIED FOR CONSTRUCTION	
COMPANY:	
ADDRESS:	
CITY/STATE:	
TELEPHONE () EXT:	



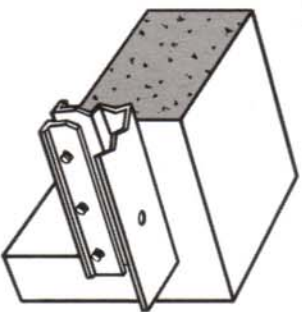
STANDARD WALL MOUNT SL



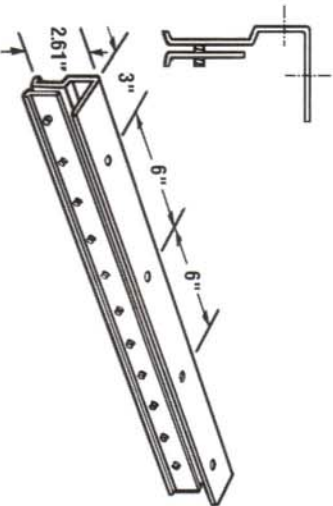
STANDARD HEADER MOUNT UL



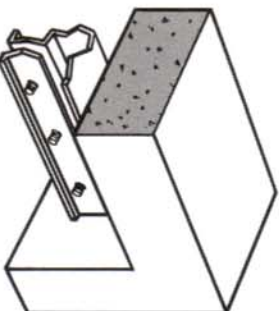
UNIVERSAL HARDWARE



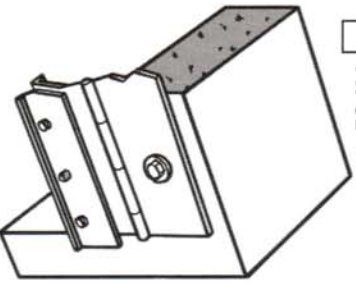
WALL MOUNT UM-SL



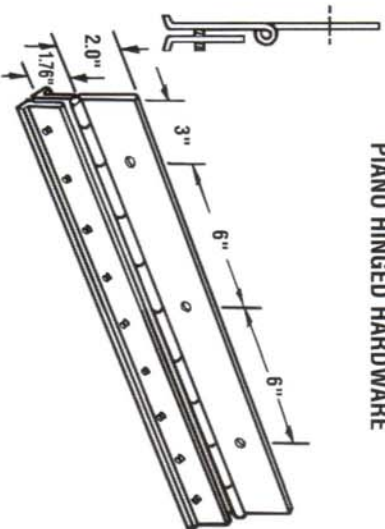
HEADER MOUNT UM-UL



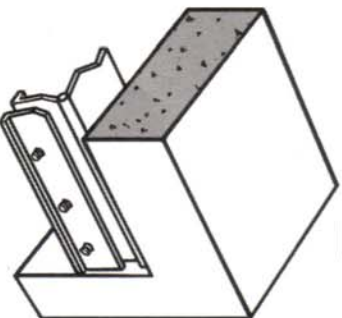
WALL MOUNT PH-SL



PIANO HINGED HARDWARE



HEADER MOUNT PH-UL



IMPORTANT
PLEASE COMPLETE THE REVERSE SIDE OF THIS FORM

800-888-9750 Tel: 412-787-9750 Fax: 412-787-3665
INC. TMI Incorporated
 5350 Campbell's Run Road
 Pittsburgh, PA 15205-9738

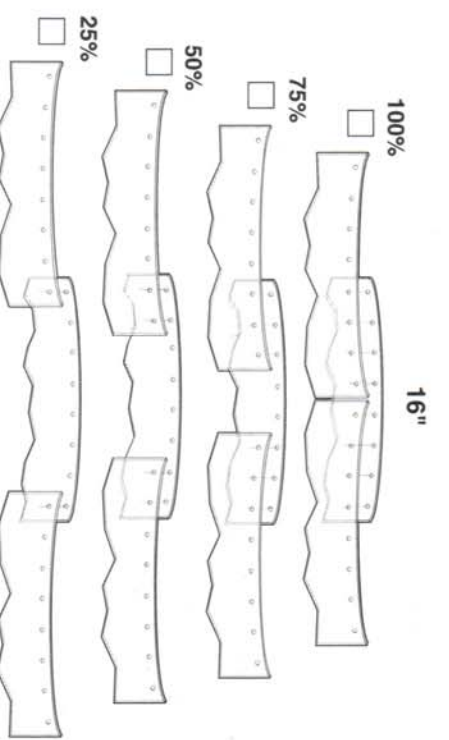
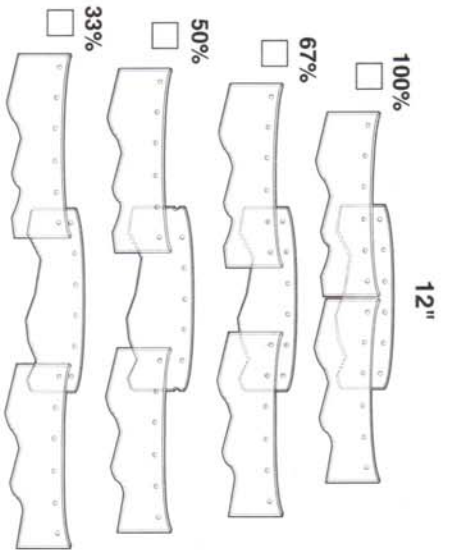
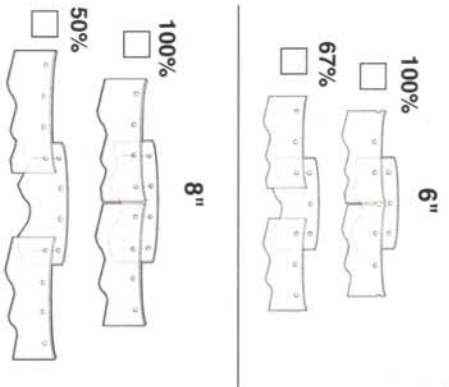
STANDARD S&W[®] STRIP DOORS

DRAWING BY: _____ CHECKED BY: _____
 DATE _____ DATE _____

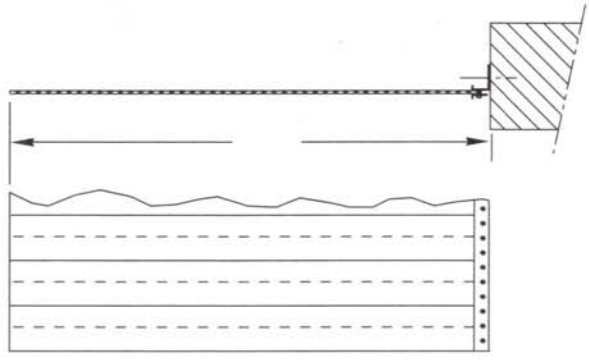
REVISIONS	NO.	DATE	DESCRIPTION

STANDARD *SAFET* STRIP OVERLAP CONFIGURATIONS

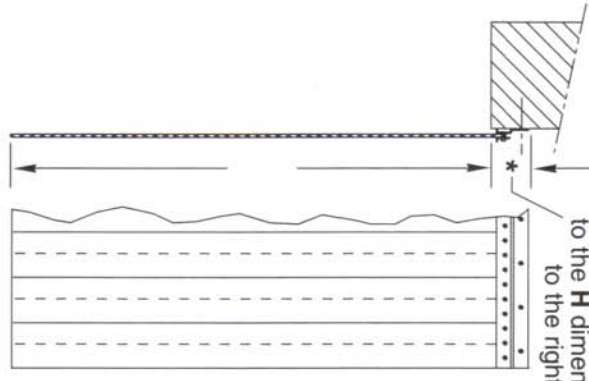
PLEASE INDICATE THE WIDTH AND OVERLAP DESIRED BY CHECKING THE APPROPRIATE BOX



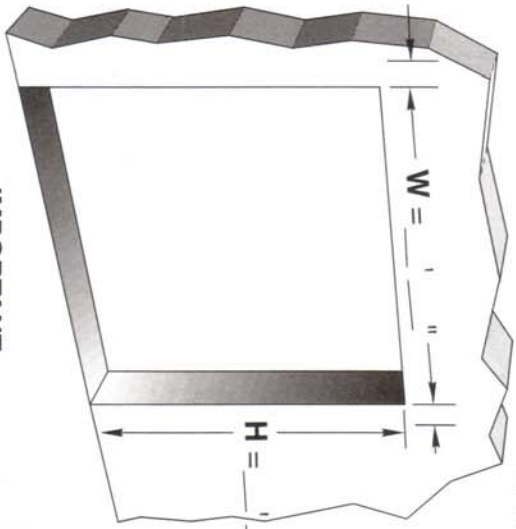
HEADER MOUNT



WALL MOUNT



DOORWAY OPENING



PLEASE INDICATE BOTH THE HEIGHT AND WIDTH OF THE DOORWAY OPENING

* Note:

FOR WALL MOUNT ONLY

If additional coverage is required include this in the doorway width and height

IMPORTANT
PLEASE COMPLETE THE REVERSE SIDE OF THIS FORM



TMI Incorporated
5350 Campbells Run Road
Pittsburgh, PA 15205-9738
800-888-9750

Tel: 412-787-9750 • Fax: 412-787-3665

***SAFET* STRIP DOOR**